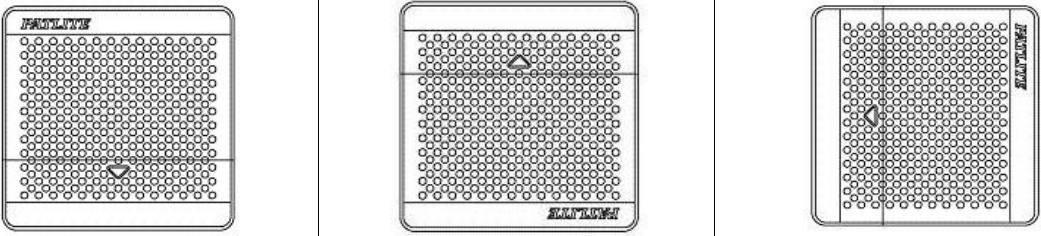


# 製品仕様書

機種名	BD-24□-□
定格電圧	12-24V DC
電圧許容範囲	10.8-26.4V DC
定格消費電力	最大 4W / 待機 0.5W
最大音圧レベル	90dB以上 測定条件：パネル取付け・中心より正面方向 1m・音色05(ピーポピーポ)再生 ※音色・使用環境・使用電圧により、音圧レベルは変化します
音量調整	ボリューム調整：Min.～Max.
信号入力方式	レベルホールド入力（COM端子とCH端子を短絡させている間再生）
CH入力	ビット入力
再生可能音色数	4
再生ラグ時間	170msec以下（信号起動） / 1sec以下（電源起動）
信号入力優先順	CH4 > CH3 > CH2 > CH1
動作温度範囲	-20～55℃
相対湿度	85%RH以下（結露なきこと） 屋内取付け：可 / 屋外取付け：不可
製品取付け	 <p>正方向：可                      逆方向：可                      横方向：可</p>
保護等級	IP54(正方向パネル取付け時、フロント部のみ)
絶縁抵抗	DC500V 1MΩ以上（充電金属部－非充電金属部間）
耐電圧	AC500V 1分間 （充電金属部－非充電金属部間）
耐振動量	19.6m/s <sup>2</sup> (JIS C0911-1984 準拠) 205g±10%
型式表示	<p style="text-align: center;">BD      -      24      A      -      J</p> <p> <span style="display: inline-block; width: 100px; border-bottom: 1px solid black; margin-left: 100px;"></span> <span style="display: inline-block; width: 100px; border-bottom: 1px solid black; margin-left: 100px;"></span> <span style="display: inline-block; width: 100px; border-bottom: 1px solid black; margin-left: 100px;"></span> </p> <p> <span style="display: inline-block; width: 100px; border-bottom: 1px solid black; margin-left: 100px;"></span> <span style="display: inline-block; width: 100px; border-bottom: 1px solid black; margin-left: 100px;"></span> <span style="display: inline-block; width: 100px; border-bottom: 1px solid black; margin-left: 100px;"></span> </p> <p> <span style="display: inline-block; width: 100px; border-bottom: 1px solid black; margin-left: 100px;"></span> <span style="display: inline-block; width: 100px; border-bottom: 1px solid black; margin-left: 100px;"></span> <span style="display: inline-block; width: 100px; border-bottom: 1px solid black; margin-left: 100px;"></span> </p> <p> <span style="display: inline-block; width: 100px; border-bottom: 1px solid black; margin-left: 100px;"></span> <span style="display: inline-block; width: 100px; border-bottom: 1px solid black; margin-left: 100px;"></span> <span style="display: inline-block; width: 100px; border-bottom: 1px solid black; margin-left: 100px;"></span> </p> <p> <span style="display: inline-block; width: 100px; border-bottom: 1px solid black; margin-left: 100px;"></span> <span style="display: inline-block; width: 100px; border-bottom: 1px solid black; margin-left: 100px;"></span> <span style="display: inline-block; width: 100px; border-bottom: 1px solid black; margin-left: 100px;"></span> </p> <p> <span style="display: inline-block; width: 100px; border-bottom: 1px solid black; margin-left: 100px;"></span> <span style="display: inline-block; width: 100px; border-bottom: 1px solid black; margin-left: 100px;"></span> <span style="display: inline-block; width: 100px; border-bottom: 1px solid black; margin-left: 100px;"></span> </p> <p> <span style="display: inline-block; width: 100px; border-bottom: 1px solid black; margin-left: 100px;"></span> <span style="display: inline-block; width: 100px; border-bottom: 1px solid black; margin-left: 100px;"></span> <span style="display: inline-block; width: 100px; border-bottom: 1px solid black; margin-left: 100px;"></span> </p> <p> <span style="display: inline-block; width: 100px; border-bottom: 1px solid black; margin-left: 100px;"></span> <span style="display: inline-block; width: 100px; border-bottom: 1px solid black; margin-left: 100px;"></span> <span style="display: inline-block; width: 100px; border-bottom: 1px solid black; margin-left: 100px;"></span> </p> <p> <span style="display: inline-block; width: 100px; border-bottom: 1px solid black; margin-left: 100px;"></span> <span style="display: inline-block; width: 100px; border-bottom: 1px solid black; margin-left: 100px;"></span> <span style="display: inline-block; width: 100px; border-bottom: 1px solid black; margin-left: 100px;"></span> </p> <p> <span style="display: inline-block; width: 100px; border-bottom: 1px solid black; margin-left: 100px;"></span> <span style="display: inline-block; width: 100px; border-bottom: 1px solid black; margin-left: 100px;"></span> <span style="display: inline-block; width: 100px; border-bottom: 1px solid black; margin-left: 100px;"></span> </p> <p> <span style="display: inline-block; width: 100px; border-bottom: 1px solid black; margin-left: 100px;"></span> <span style="display: inline-block; width: 100px; border-bottom: 1px solid black; margin-left: 100px;"></span> <span style="display: inline-block; width: 100px; border-bottom: 1px solid black; margin-left: 100px;"></span> </p> <p> <span style="display: inline-block; width: 100px; border-bottom: 1px solid black; margin-left: 100px;"></span> <span style="display: inline-block; width: 100px; border-bottom: 1px solid black; margin-left: 100px;"></span> <span style="display: inline-block; width: 100px; border-bottom: 1px solid black; margin-left: 100px;"></span> </p> <p> <span style="display: inline-block; width: 100px; border-bottom: 1px solid black; margin-left: 100px;"></span> <span style="display: inline-block; width: 100px; border-bottom: 1px solid black; margin-left: 100px;"></span> <span style="display: inline-block; width: 100px; border-bottom: 1px solid black; margin-left: 100px;"></span> </p> <p> <span style="display: inline-block; width: 100px; border-bottom: 1px solid black; margin-left: 100px;"></span> <span style="display: inline-block; width: 100px; border-bottom: 1px solid black; margin-left: 100px;"></span> <span style="display: inline-block; width: 100px; border-bottom: 1px solid black; margin-left: 100px;"></span> </p> <p> <span style="display: inline-block; width: 100px; border-bottom: 1px solid black; margin-left: 100px;"></span> <span style="display: inline-block; width: 100px; border-bottom: 1px solid black; margin-left: 100px;"></span> <span style="display: inline-block; width: 100px; border-bottom: 1px solid black; margin-left: 100px;"></span> </p> <p> <span style="display: inline-block; width: 100px; border-bottom: 1px solid black; margin-left: 100px;"></span> <span style="display: inline-block; width: 100px; border-bottom: 1px solid black; margin-left: 100px;"></span> <span style="display: inline-block; width: 100px; border-bottom: 1px solid black; margin-left: 100px;"></span> </p> <p> <span style="display: inline-block; width: 100px; border-bottom: 1px solid black; margin-left: 100px;"></span> <span style="display: inline-block; width: 100px; border-bottom: 1px solid black; margin-left: 100px;"></span> <span style="display: inline-block; width: 100px; border-bottom: 1px solid black; margin-left: 100px;"></span> </p> <p> <span style="display: inline-block; width: 100px; border-bottom: 1px solid black; margin-left: 100px;"></span> <span style="display: inline-block; width: 100px; border-bottom: 1px solid black; margin-left: 100px;"></span> <span style="display: inline-block; width: 100px; border-bottom: 1px solid black; margin-left: 100px;"></span> </p> <p> <span style="display: inline-block; width: 100px; border-bottom: 1px solid black; margin-left: 100px;"></span> <span style="display: inline-block; width: 100px; border-bottom: 1px solid black; margin-left: 100px;"></span> <span style="display: inline-block; width: 100px; border-bottom: 1px solid black; margin-left: 100px;"></span> </p> <p> <span style="display: inline-block; width: 100px; border-bottom: 1px solid black; margin-left: 100px;"></span> <span style="display: inline-block; width: 100px; border-bottom: 1px solid black; margin-left: 100px;"></span> <span style="display: inline-block; width: 100px; border-bottom: 1px solid black; margin-left: 100px;"></span> </p> <p> <span style="display: inline-block; width: 100px; border-bottom: 1px solid black; margin-left: 100px;"></span> <span style="display: inline-block; width: 100px; border-bottom: 1px solid black; margin-left: 100px;"></span> <span style="display: inline-block; width: 100px; border-bottom: 1px solid black; margin-left: 100px;"></span> </p> <p> <span style="display: inline-block; width: 100px; border-bottom: 1px solid black; margin-left: 100px;"></span> <span style="display: inline-block; width: 100px; border-bottom: 1px solid black; margin-left: 100px;"></span> <span style="display: inline-block; width: 100px; border-bottom: 1px solid black; margin-left: 100px;"></span> </p> <p> <span style="display: inline-block; width: 100px; border-bottom: 1px solid black; margin-left: 100px;"></span> <span style="display: inline-block; width: 100px; border-bottom: 1px solid black; margin-left: 100px;"></span> <span style="display: inline-block; width: 100px; border-bottom: 1px solid black; margin-left: 100px;"></span> </p> <p> <span style="display: inline-block; width: 100px; border-bottom: 1px solid black; margin-left: 100px;"></span> <span style="display: inline-block; width: 100px; border-bottom: 1px solid black; margin-left: 100px;"></span> <span style="display: inline-block; width: 100px; border-bottom: 1px solid black; margin-left: 100px;"></span> </p> <p> <span style="display: inline-block; width: 100px; border-bottom: 1px solid black; margin-left: 100px;"></span> <span style="display: inline-block; width: 100px; border-bottom: 1px solid black; margin-left: 100px;"></span> <span style="display: inline-block; width: 100px; border-bottom: 1px solid black; margin-left: 100px;"></span> </p> <p> <span style="display: inline-block; width: 100px; border-bottom: 1px solid black; margin-left: 100px;"></span> <span style="display: inline-block; width: 100px; border-bottom: 1px solid black; margin-left: 100px;"></span> <span style="display: inline-block; width: 100px; border-bottom: 1px solid black; margin-left: 100px;"></span> </p> <p> <span style="display: inline-block; width: 100px; border-bottom: 1px solid black; margin-left: 100px;"></span> <span style="display: inline-block; width: 100px; border-bottom: 1px solid black; margin-left: 100px;"></span> <span style="display: inline-block; width: 100px; border-bottom: 1px solid black; margin-left: 100px;"></span> </p> <p> <span style="display: inline-block; width: 100px; border-bottom: 1px solid black; margin-left: 100px;"></span> <span style="display: inline-block; width: 100px; border-bottom: 1px solid black; margin-left: 100px;"></span> <span style="display: inline-block; width: 100px; border-bottom: 1px solid black; margin-left: 100px;"></span> </p> <p> <span style="display: inline-block; width: 100px; border-bottom: 1px solid black; margin-left: 100px;"></span> <span style="display: inline-block; width: 100px; border-bottom: 1px solid black; margin-left: 100px;"></span> <span style="display: inline-block; width: 100px; border-bottom: 1px solid black; margin-left: 100px;"></span> </p> <p> <span style="display: inline-block; width: 100px; border-bottom: 1px solid black; margin-left: 100px;"></span> <span style="display: inline-block; width: 100px; border-bottom: 1px solid black; margin-left: 100px;"></span> <span style="display: inline-block; width: 100px; border-bottom: 1px solid black; margin-left: 100px;"></span> </p> <p> <span style="display: inline-block; width: 100px; border-bottom: 1px solid black; margin-left: 100px;"></span> <span style="display: inline-block; width: 100px; border-bottom: 1px solid black; margin-left: 100px;"></span> <span style="display: inline-block; width: 100px; border-bottom: 1px solid black; margin-left: 100px;"></span> </p> <p> <span style="display: inline-block; width: 100px; border-bottom: 1px solid black; margin-left: 100px;"></span> <span style="display: inline-block; width: 100px; border-bottom: 1px solid black; margin-left: 100px;"></span> <span style="display: inline-block; width: 100px; border-bottom: 1px solid black; margin-left: 100px;"></span> </p> <p> <span style="display: inline-block; width: 100px; border-bottom: 1px solid black; margin-left: 100px;"></span> <span style="display: inline-block; width: 100px; border-bottom: 1px solid black; margin-left: 100px;"></span> <span style="display: inline-block; width: 100px; border-bottom: 1px solid black; margin-left: 100px;"></span> </p> <p> <span style="display: inline-block; width: 100px; border-bottom: 1px solid black; margin-left: 100px;"></span> <span style="display: inline-block; width: 100px; border-bottom: 1px solid black; margin-left: 100px;"></span> <span style="display: inline-block; width: 100px; border-bottom: 1px solid black; margin-left: 100px;"></span> </p> <p> <span style="display: inline-block; width: 100px; border-bottom: 1px solid black; margin-left: 100px;"></span> <span style="display: inline-block; width: 100px; border-bottom: 1px solid black; margin-left: 100px;"></span> <span style="display: inline-block; width: 100px; border-bottom: 1px solid black; margin-left: 100px;"></span> </p> <p> <span style="display: inline-block; width: 100px; border-bottom: 1px solid black; margin-left: 100px;"></span> <span style="display: inline-block; width: 100px; border-bottom: 1px solid black; margin-left: 100px;"></span> <span style="display: inline-block; width: 100px; border-bottom: 1px solid black; margin-left: 100px;"></span> </p> <p> <span style="display: inline-block; width: 100px; border-bottom: 1px solid black; margin-left: 100px;"></span> <span style="display: inline-block; width: 100px; border-bottom: 1px solid black; margin-left: 100px;"></span> <span style="display: inline-block; width: 100px; border-bottom: 1px solid black; margin-left: 100px;"></span> </p> <p> <span style="display: inline-block; width: 100px; border-bottom: 1px solid black; margin-left: 100px;"></span> <span style="display: inline-block; width: 100px; border-bottom: 1px solid black; margin-left: 100px;"></span> <span style="display: inline-block; width: 100px; border-bottom: 1px solid black; margin-left: 100px;"></span> </p> <p> <span style="display: inline-block; width: 100px; border-bottom: 1px solid black; margin-left: 100px;"></span> <span style="display: inline-block; width: 100px; border-bottom: 1px solid black; margin-left: 100px;"></span> <span style="display: inline-block; width: 100px; border-bottom: 1px solid black; margin-left: 100px;"></span> </p> <p> <span style="display: inline-block; width: 100px; border-bottom: 1px solid black; margin-left: 100px;"></span> <span style="display: inline-block; width: 100px; border-bottom: 1px solid black; margin-left: 100px;"></span> <span style="display: inline-block; width: 100px; border-bottom: 1px solid black; margin-left: 100px;"></span> </p> <p> <span style="display: inline-block; width: 100px; border-bottom: 1px solid black; margin-left: 100px;"></span> <span style="display: inline-block; width: 100px; border-bottom: 1px solid black; margin-left: 100px;"></span> <span style="display: inline-block; width: 100px; border-bottom: 1px solid black; margin-left: 100px;"></span> </p> <p> <span style="display: inline-block; width: 100px; border-bottom: 1px solid black; margin-left: 100px;"></span> <span style="display: inline-block; width: 100px; border-bottom: 1px solid black; margin-left: 100px;"></span> <span style="display: inline-block; width: 100px; border-bottom: 1px solid black; margin-left: 100px;"></span> </p> <p> <span style="display: inline-block; width: 100px; border-bottom: 1px solid black; margin-left: 100px;"></span> <span style="display: inline-block; width: 100px; border-bottom: 1px solid black; margin-left: 100px;"></span> <span style="display: inline-block; width: 100px; border-bottom: 1px solid black; margin-left: 100px;"></span> </p> <p> <span style="display: inline-block; width: 100px; border-bottom: 1px solid black; margin-left: 100px;"></span> <span style="display: inline-block; width: 100px; border-bottom: 1px solid black; margin-left: 100px;"></span> <span style="display: inline-block; width: 100px; border-bottom: 1px solid black; margin-left: 100px;"></span> </p> <p> <span style="display: inline-block; width: 100px; border-bottom: 1px solid black; margin-left: 100px;"></span> <span style="display: inline-block; width: 100px; border-bottom: 1px solid black; margin-left: 100px;"></span> <span style="display: inline-block; width: 100px; border-bottom: 1px solid black; margin-left: 100px;"></span> </p> <p> <span style="display: inline-block; width: 100px; border-bottom: 1px solid black; margin-left: 100px;"></span> <span style="display: inline-block; width: 100px; border-bottom: 1px solid black; margin-left: 100px;"></span> <span style="display: inline-block; width: 100px; border-bottom: 1px solid black; margin-left: 100px;"></span> </p> <p> <span style="display: inline-block; width: 100px; border-bottom: 1px solid black; margin-left: 100px;"></span> <span style="display: inline-block; width: 100px; border-bottom: 1px solid black; margin-left: 100px;"></span> <span style="display: inline-block; width: 100px; border-bottom: 1px solid black; margin-left: 100px;"></span> </p> <p> <span style="display: inline-block; width: 100px; border-bottom: 1px solid black; margin-left: 100px;"></span> <span style="display: inline-block; width: 100px; border-bottom: 1px solid black; margin-left: 100px;"></span> <span style="display: inline-block; width: 100px; border-bottom: 1px solid black; margin-left: 100px;"></span> </p> <p> <span style="display: inline-block; width: 100px; border-bottom: 1px solid black; margin-left: 100px;"></span> <span style="display: inline-block; width: 100px; border-bottom: 1px solid black; margin-left: 100px;"></span> <span style="display: inline-block; width: 100px; border-bottom: 1px solid black; margin-left: 100px;"></span> </p> <p> <span style="display: inline-block; width: 100px; border-bottom: 1px solid black; margin-left: 100px;"></span> <span style="display: inline-block; width: 100px; border-bottom: 1px solid black; margin-left: 100px;"></span> <span style="display: inline-block; width: 100px; border-bottom: 1px solid black; margin-left: 100px;"></span> </p> <p> <span style="display: inline-block; width: 100px; border-bottom: 1px solid black; margin-left: 100px;"></span> <span style="display: inline-block; width: 100px; border-bottom: 1px solid black; margin-left: 100px;"></span> <span style="display: inline-block; width: 100px; border-bottom: 1px solid black; margin-left: 100px;"></span> </p> <p> <span style="display: inline-block; width: 100px; border-bottom: 1px solid black; margin-left: 100px;"></span> <span style="display: inline-block; width: 100px; border-bottom: 1px solid black; margin-left: 100px;"></span> <span style="display: inline-block; width: 100px; border-bottom: 1px solid black; margin-left: 100px;"></span> </p> <p> <span style="display: inline-block; width: 100px; border-bottom: 1px solid black; margin-left: 100px;"></span> <span style="display: inline-block; width: 100px; border-bottom: 1px solid black; margin-left: 100px;"></span> <span style="display: inline-block; width: 100px; border-bottom: 1px solid black; margin-left: 100px;"></span> </p> <p> <span style="display: inline-block; width: 100px; border-bottom: 1px solid black; margin-left: 100px;"></span> <span style="display: inline-block; width: 100px; border-bottom: 1px solid black; margin-left: 100px;"></span> <span style="display: inline-block; width: 100px; border-bottom: 1px solid black; margin-left: 100px;"></span> </p> <p> <span style="display: inline-block; width: 100px; border-bottom: 1px solid black; margin-left: 100px;"></span> <span style="display: inline-block; width: 100px; border-bottom: 1px solid black; margin-left: 100px;"></span> <span style="display: inline-block; width: 100px; border-bottom: 1px solid black; margin-left: 100px;"></span> </p> <p> <span style="display: inline-block; width: 100px; border-bottom: 1px solid black; margin-left: 100px;"></span> <span style="display: inline-block; width: 100px; border-bottom: 1px solid black; margin-left: 100px;"></span> <span style="display: inline-block; width: 100px; border-bottom: 1px solid black; margin-left: 100px;"></span> </p> <p> <span style="display: inline-block; width: 100px; border-bottom: 1px solid black; margin-left: 100px;"></span> <span style="display: inline-block; width: 100px; border-bottom: 1px solid black; margin-left: 100px;"></span> <span style="display: inline-block; width: 100px; border-bottom: 1px solid black; margin-left: 100px;"></span> </p> <p> <span style="display: inline-block; width: 100px; border-bottom: 1px solid black; margin-left: 100px;"></span> <span style="display: inline-block; width: 100px; border-bottom: 1px solid black; margin-left: 100px;"></span> <span style="display: inline-block; width: 100px; border-bottom: 1px solid black; margin-left: 100px;"></span> </p> <p> <span style="display: inline-block; width: 100px; border-bottom: 1px solid black; margin-left: 100px;"></span> <span style="display: inline-block; width: 100px; border-bottom: 1px solid black; margin-left: 100px;"></span> <span style="display: inline-block; width: 100px; border-bottom: 1px solid black; margin-left: 100px;"></span> </p> <p> <span style="display: inline-block; width: 100px; border-bottom: 1px solid black; margin-left: 100px;"></span> <span style="display: inline-block; width: 100px; border-bottom: 1px solid black; margin-left: 100px;"></span> <span style="display: inline-block; width: 100px; border-bottom: 1px solid black; margin-left: 100px;"></span> </p> <p> <span style="display: inline-block; width: 100px; border-bottom: 1px solid black; margin-left: 100px;"></span> <span style="display: inline-block; width: 100px; border-bottom: 1px solid black; margin-left: 100px;"></span> <span style="display: inline-block; width: 100px; border-bottom: 1px solid black; margin-left: 100px;"></span> </p> <p> <span style="display: inline-block; width: 100px; border-bottom: 1px solid black; margin-left: 100px;"></span> <span style="display: inline-block; width: 100px; border-bottom: 1px solid black; margin-left: 100px;"></span> <span style="display: inline-block; width: 100px; border-bottom: 1px solid black; margin-left: 100px;"></span> </p> <p> <span style="display: inline-block; width: 100px; border-bottom: 1px solid black; margin-left: 100px;"></span> <span style="display: inline-block; width: 100px; border-bottom: 1px solid black; margin-left: 100px;"></span> <span style="display: inline-block; width: 100px; border-bottom: 1px solid black; margin-left: 100px;"></span> </p> <p> <span style="display: inline-block; width: 100px; border-bottom: 1px solid black; margin-left: 100px;"></span> <span style="display: inline-block; width: 100px; border-bottom: 1px solid black; margin-left: 100px;"></span> <span style="display: inline-block; width: 100px; border-bottom: 1px solid black; margin-left: 100px;"></span> </p> <p> <span style="display: inline-block; width: 100px; border-bottom: 1px solid black; margin-left: 100px;"></span> <span style="display: inline-block; width: 100px; border-bottom: 1px solid black; margin-left: 100px;"></span> <span style="display: inline-block; width: 100px; border-bottom: 1px solid black; margin-left: 100px;"></span> </p> <p> <span style="display: inline-block; width: 100px; border-bottom: 1px solid black; margin-left: 100px;"></span> <span style="display: inline-block; width: 100px; border-bottom: 1px solid black; margin-left: 100px;"></span> <span style="display: inline-block; width: 100px; border-bottom: 1px solid black; margin-left: 100px;"></span> </p> <p> <span style="display: inline-block; width: 100px; border-bottom: 1px solid black; margin-left: 100px;"></span> <span style="display: inline-block; width: 100px; border-bottom: 1px solid black; margin-left: 100px;"></span> <span style="display: inline-block; width: 100px; border-bottom: 1px solid black; margin-left: 100px;"></span> </p> <p> <span style="display: inline-block; width: 100px; border-bottom: 1px solid black; margin-left: 100px;"></span> <span style="display: inline-block; width: 100px; border-bottom: 1px solid black; margin-left: 100px;"></span> <span style="display: inline-block; width: 100px; border-bottom: 1px solid black; margin-left: 100px;"></span> </p> <p> <span style="display: inline-block; width: 100px; border-bottom: 1px solid black; margin-left: 100px;"></span> <span style="display: inline-block; width: 100px; border-bottom: 1px solid black; margin-left: 100px;"></span> <span style="display: inline-block; width: 100px; border-bottom: 1px solid black; margin-left: 100px;"></span> </p> <p> <span style="display: inline-block; width: 100px; border-bottom: 1px solid black; margin-left: 100px;"></span> <span style="display: inline-block; width: 100px; border-bottom: 1px solid black; margin-left: 100px;"></span> <span style="display: inline-block; width: 100px; border-bottom: 1px solid black; margin-left: 100px;"></span> </p> <p> <span style="display: inline-block; width: 100px; border-bottom: 1px solid black; margin-left: 100px;"></span> <span style="display: inline-block; width: 100px; border-bottom: 1px solid black; margin-left: 100px;"></span> <span style="display: inline-block; width: 100px; border-bottom: 1px solid black; margin-left: 100px;"></span> </p> <p> <span style="display: inline-block; width: 100px; border-bottom: 1px solid black; margin-left: 100px;"></span> <span style="display: inline-block; width: 100px; border-bottom: 1px solid black; margin-left: 100px;"></span> <span style="display: inline-block; width: 100px; border-bottom: 1px solid black; margin-left: 100px;"></span> </p> <p> <span style="display: inline-block; width: 100px; border-bottom: 1px solid black; margin-left: 100px;"></span> <span style="display: inline-block; width: 100px; border-bottom: 1px solid black; margin-left: 100px;"></span> <span style="display: inline-block; width: 100px; border-bottom: 1px solid black; margin-left: 100px;"></span> </p> <p> <span style="display: inline-block; width: 100px; border-bottom: 1px solid black; margin-left: 100px;"></span> <span style="display: inline-block; width: 100px; border-bottom: 1px solid black; margin-left: 100px;"></span> <span style="display: inline-block; width: 100px; border-bottom: 1px solid black; margin-left: 100px;"></span> </p> <p> <span style="display: inline-block; width: 100px; border-bottom: 1px solid black; margin-left: 100px;"></span> <span style="display: inline-block; width: 100px; border-bottom: 1px solid black; margin-left: 100px;"></span> <span style="display: inline-block; width: 100px; border-bottom: 1px solid black; margin-left: 100px;"></span> </p> <p> <span style="display: inline-block; width: 100px; border-bottom: 1px solid black; margin-left: 100px;"></span> <span style="display: inline-block; width: 100px; border-bottom: 1px solid black; margin-left: 100px;"></span> <span style="display: inline-block; width: 100px; border-bottom: 1px solid black; margin-left: 100px;"></span> </p> <p> <span style="display: inline-block; width: 100px; border-bottom: 1px solid black; margin-left: 100px;"></span> <span style="display: inline-block; width: 100px; border-bottom: 1px solid black; margin-left: 100px;"></span> <span style="display: inline-block; width: 100px; border-bottom: 1px solid black; margin-left: 100px;"></span> </p> <p> <span style="display: inline-block; width: 100px; border-bottom: 1px solid black; margin-left: 100px;"></span> <span style="display: inline-block; width: 100px; border-bottom: 1px solid black; margin-left: 100px;"></span> <span style="display: inline-block; width: 100px; border-bottom: 1px solid black; margin-left: 100px;"></span> </p> <p> <span style="display: inline-block; width: 100px; border-bottom: 1px solid black; margin-left: 100px;"></span> <span style="display: inline-block; width: 100px; border-bottom: 1px solid black; margin-left: 100px;"></span> <span style="display: inline-block; width: 100px; border-bottom: 1px solid black; margin-left: 100px;"></span> </p> <p> <span style="display: inline-block; width: 100px; border-bottom: 1px solid black; margin-left: 100px;"></span> <span style="display: inline-block; width: 100px; border-bottom: 1px solid black; margin-left: 100px;"></span> <span style="display: inline-block; width: 100px; border-bottom: 1px solid black; margin-left: 100px;"></span> </p> <p> <span style="display: inline-block; width: 100px; border-bottom: 1px solid black; margin-left: 100px;"></span> <span style="display: inline-block; width: 100px; border-bottom: 1px solid black; margin-left: 100px;"></span> <span style="display: inline-block; width: 100px; border-bottom: 1px solid black; margin-left: 100px;"></span> </p> <p> <span style="display: inline-block; width: 100px; border-bottom: 1px solid black; margin-left: 100px;"></span> <span style="display: inline-block; width: 100px; border-bottom: 1px solid black; margin-left: 100px;"></span> <span style="display: inline-block; width: 100px; border-bottom: 1px solid black; margin-left: 100px;"></span> </p> <p> <span style="display: inline-block; width: 100px; border-bottom: 1px solid black; margin-left: 100px;"></span> <span style="display: inline-block; width: 100px; border-bottom: 1px solid black; margin-left: 100px;"></span> <span style="display: inline-block; width: 100px; border-bottom: 1px solid black; margin-left: 100px;"></span> </p> <p> <span style="display: inline-block; width: 100px; border-bottom: 1px solid black; margin-left: 100px;"></span> <span style="display: inline-block; width: 100px; border-bottom: 1px solid black; margin-left: 100px;"></span> <span style="display: inline-block; width: 100px; border-bottom: 1px solid black; margin-left: 100px;"></span> </p> <p> <span style="display: inline-block; width: 100px; border-bottom: 1px solid black; margin-left: 100px;"></span> <span style="display: inline-block; width: 100px; border-bottom: 1px solid black; margin-left: 100px;"></span> <span style="display: inline-block; width: 100px; border-bottom: 1px solid black; margin-left: 100px;"></span> </p> <p> <span style="display: inline-block; width: 100px; border-bottom: 1px solid black; margin-left: 100px;"></span> <span style="display: inline-block; width: 100px; border-bottom: 1px solid black; margin-left: 100px;"></span> <span style="display: inline-block; width: 100px; border-bottom: 1px solid black; margin-left: 100px;"></span> </p> <p> <span style="display: inline-block; width: 100px; border-bottom: 1px solid black; margin-left: 100px;"></span> <span style="display: inline-block; width: 100px; border-bottom: 1px solid black; margin-left: 100px;"></span> <span style="display: inline-block; width: 100px; border-bottom: 1px solid black; margin-left: 100px;"></span> </p> <p> <span style="display: inline-block; width: 100px; border-bottom: 1px solid black; margin-left: 100px;"></span> <span style="display: inline-block; width: 100px; border-bottom: 1px solid black; margin-left: 100px;"></span> <span style="display: inline-block; width: 100px; border-bottom: 1px solid black; margin-left: 100px;"></span> </p> <p> <span style="display: inline-block; width: 100px; border-bottom: 1px solid black; margin-left: 100px;"></span> <span style="display: inline-block; width: 100px; border-bottom: 1px solid black; margin-left: 100px;"></span> <span style="display: inline-block; width: 100px; border-bottom: 1px solid black; margin-left: 100px;"></span> </p> <p> <span style="display: inline-block; width: 100px; border-bottom: 1px solid black; margin-left: 100px;"></span> <span style="display: inline-block; width: 100px; border-bottom: 1px solid black; margin-left: 100px;"></span> <span style="display: inline-block; width: 100px; border-bottom: 1px solid black; margin-left: 100px;"></span> </p> <p> <span style="display: inline-block; width: 100px; border-bottom: 1px solid black; margin-left: 100px;"></span> <span style="display: inline-block; width: 100px; border-bottom: 1px solid black; margin-left: 100px;"></span> <span style="display: inline-block; width: 100px; border-bottom: 1px solid black; margin-left: 100px;"></span> </p> <p> <span style="display: inline-block; width: 100px; border-bottom: 1px solid black; margin-left: 100px;"></span> <span style="display: inline-block; width: 100px; border-bottom: 1px solid black; margin-left: 100px;"></span> <span style="display: inline-block; width: 100px; border-bottom: 1px solid black; margin-left: 100px;"></span> </p> <p> <span style="display: inline-block; width: 100px; border-bottom: 1px solid black; margin-left: 100px;"></span> <span style="display: inline-block; width: 100px; border-bottom: 1px solid black; margin-left: 100px;"></span> <span style="display: inline-block; width: 100px; border-bottom: 1px solid black; margin-left: 100px;"></span> </p> <p> <span style="display: inline-block; width: 100px; border-bottom: 1px solid black; margin-left: 100px;"></span> <span style="display: inline-block; width: 100px; border-bottom: 1px solid black; margin-left: 100px;"></span> <span style="display: inline-block; width: 100px; border-bottom: 1px solid black; margin-left: 100px;"></span> </p> <p> <span style="display: inline-block; width: 100px; border-bottom: 1px solid black; margin-left: 100px;"></span> <span style="display: inline-block; width: 100px; border-bottom: 1px solid black; margin-left: 100px;"></span> <span style="display: inline-block; width: 100px; border-bottom: 1px solid black; margin-left: 100px;"></span> </p> <p> <span style="display: inline-block; width: 100px; border-bottom: 1px solid black; margin-left: 100px;"></span> <span style="display: inline-block; width: 100px; border-bottom: 1px solid black; margin-left: 100px;"></span> <span style="display: inline-block; width: 100px; border-bottom: 1px solid black; margin-left: 100px;"></span> </p> <p> <span style="display: inline-block; width: 100px; border-bottom: 1px solid black; margin-left: 100px;"></span> <span style="display: inline-block; width: 100px; border-bottom: 1px solid black; margin-left: 100px;"></span> <span style="display: inline-block; width: 100px; border-bottom: 1px solid black; margin-left: 100px;"></span> </p> <p> <span style="display: inline-block; width: 100px; border-bottom: 1px solid black; margin-left: 100px;"></span> </p>

# 製品仕様書

## 音色一覧

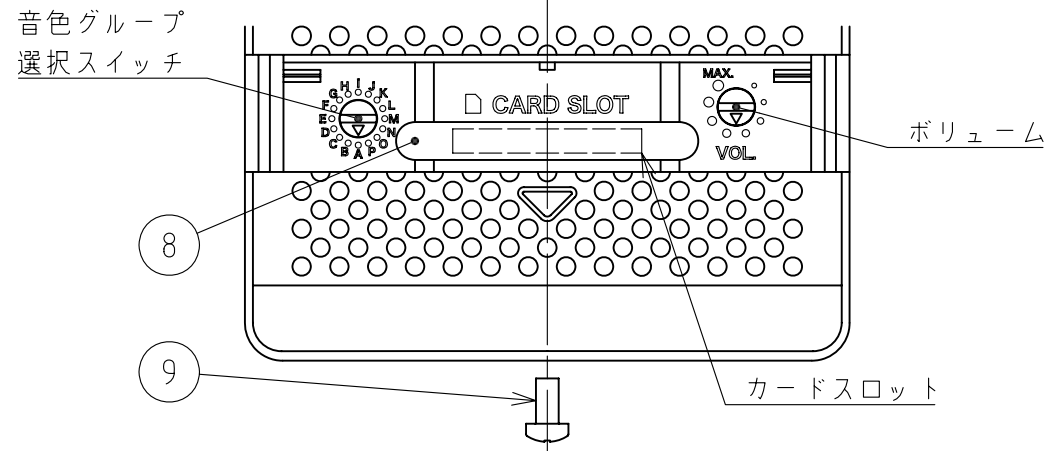
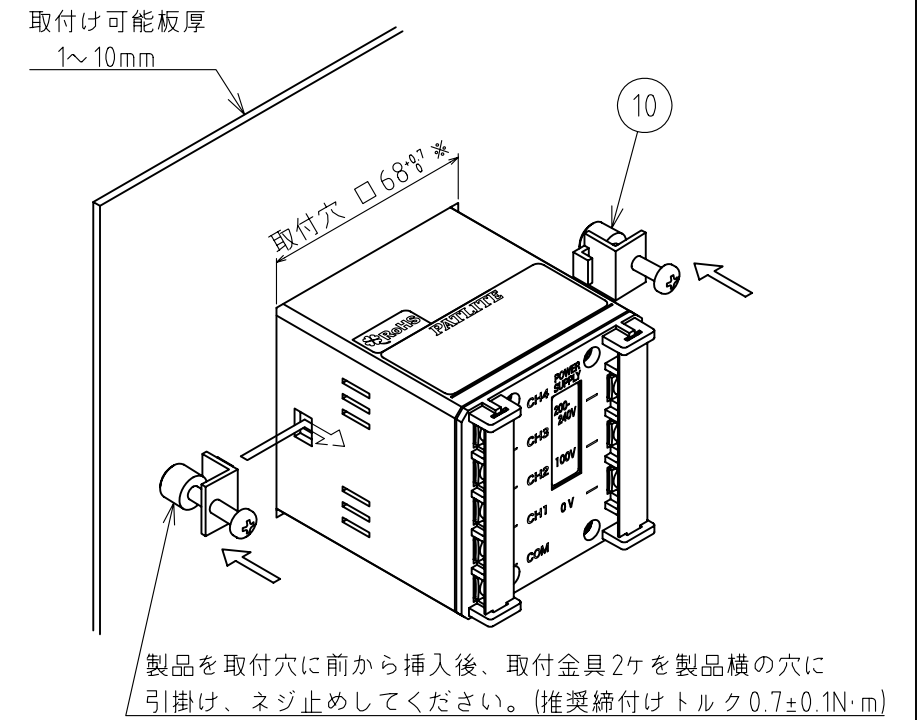
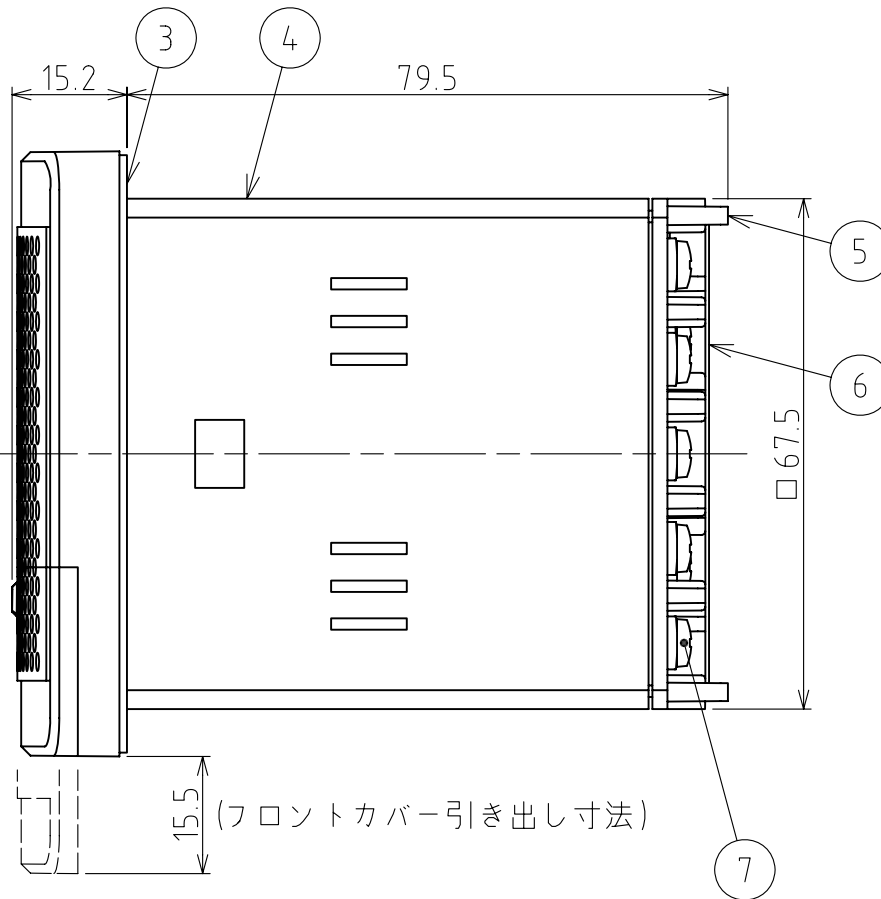
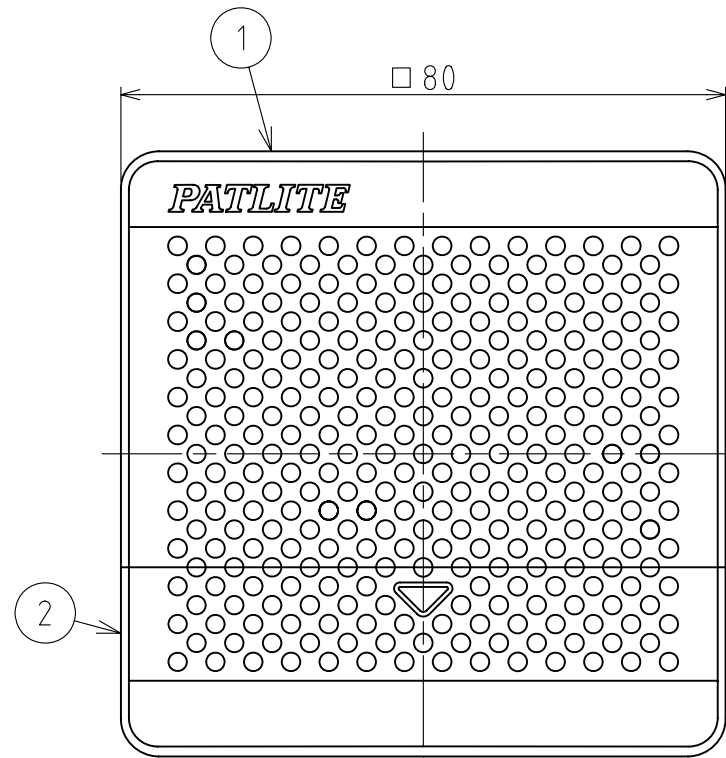
Aタイプ	01	ブーブー	07	ピロロン	13	エリーゼのために	19	メリーさんの羊	25	アマリリス	31	大きな古時計
	02	ブルル	08	ピピピン	14	乙女の祈り	20	草競馬	26	モーツァルト40番	32	アヴェ・マリア
	03	カンカン	09	ブルル+カンカン	15	メヌエット	21	かっこう	27	静かな湖畔		
	04	パララ	10	列車通過音	16	アニーローリー	22	村のかじや	28	山の音楽家		
	05	ピーポピーポ	11	ピンポン	17	ロンドン橋	23	アビニヨンの橋の上で	29	禁じられた遊び		
	06	ピポパポピポパン	12	ビビビ...	18	ホルディリディア	24	デイドリーム・ベリバー	30	カチューシャ		
Cタイプ	01	ブーブー	07	ピロロン	13	君の瞳に恋してる	19	カノン	25	ミス・ア・シング	31	今すぐ kiss me
	02	ブルル	08	ピピピン	14	TOP OF THE WORLD	20	ララサンシャイン	26	夜空ノムコウ	32	春よ、来い
	03	カンカン	09	ブルル+カンカン	15	ENTERTAINER	21	宇宙戦艦ヤマト	27	愛は勝つ		
	04	パララ	10	列車通過音	16	AMAZING GRACE	22	おしえて	28	TRUTH		
	05	ピーポピーポ	11	ピンポン	17	亜麻色の髪の乙女	23	負けないで	29	ガッツだぜ！！		
	06	ピポパポピポパン	12	ビビビ...	18	オー・シャンゼリゼ	24	ロッキーのテーマ	30	おどるポンポコリン		
Dタイプ	01	ブーブー	07	ピロロン	13	オリビアをききながら	19	HAPPY BIRTHDAY	25	シューベルトの子守唄	31	聖者が街にやってくる
	02	ブルル	08	ピピピン	14	September	20	HIHO	26	赤鼻のトナカイ	32	ロンドンデリーの歌
	03	カンカン	09	ピンポン	15	土曜日の恋人	21	線路は続くよどこまでも	27	黄色いリボン		
	04	パララ	10	ビビビ...	16	秋の気配	22	森のくまさん	28	雪山賛歌		
	05	ピーポピーポ	11	Runner	17	サーフ天国・スキー天国	23	おもちゃのチャチャチャ	29	テキサスの黄色いバラ		
	06	ピポパポピポパン	12	守ってあげたい	18	色・ホワイトブレンド	24	こんなこいるかな	30	アルプス一万尺		
Eタイプ	01	ブーブー	07	ピロロン	13	ピ〜ロ〜ン	19	トゥルルル	25	アニーローリー	31	アヴェ・マリア
	02	ブルル	08	ピピピン	14	ピポピポ	20	ピロロロ	26	ロンドン橋	32	大きな古時計
	03	カンカン	09	ブルル+カンカン	15	ビーム音	21	ピリリ...	27	メリーさんの羊		
	04	パララ	10	列車通過音	16	ハーブ音	22	ポポピピ	28	草競馬		
	05	ピーポピーポ	11	ピンポン	17	ピポピ×3	23	エリーゼのために	29	アマリリス		
	06	ピポパポピポパン	12	ビビビ...	18	警告音	24	メヌエット	30	モーツァルト40番		

## 音色グループ

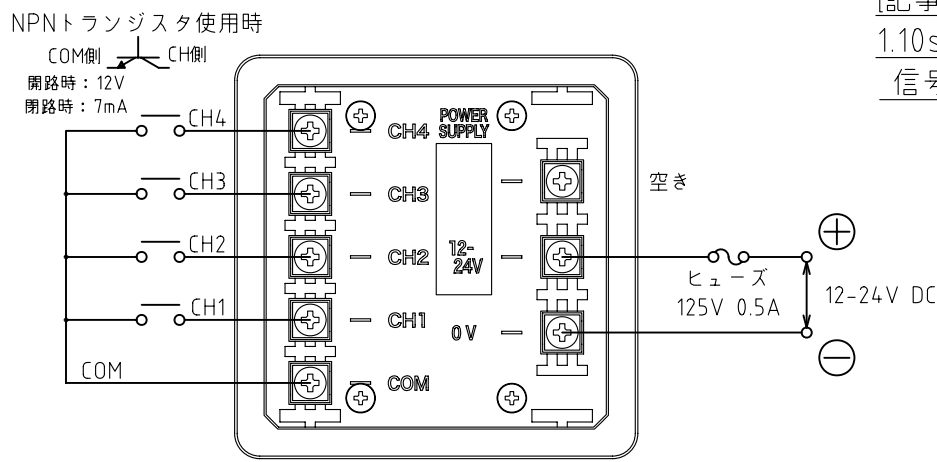
Aタイプ					Cタイプ				
グループ	CH1	CH2	CH3	CH4	グループ	CH1	CH2	CH3	CH4
A※1	ブーブー	ブルル	カンカン	パララ	A※1	ブーブー	ブルル	カンカン	パララ
B	ピーポピーポ	ピポパポピポパン	ピロロン	ピピピン	B	ピーポピーポ	ピポパポピポパン	ピロロン	ピピピン
C	ブルル+カンカン	列車通過音	ピンポン	ビビビ...	C	ブルル+カンカン	列車通過音	ピンポン	ビビビ...
D	エリーゼのために	乙女の祈り	ピンポン	ビビビ...	D	君の瞳に恋してる	TOP OF THE WORLD	ピンポン	ビビビ...
E	メヌエット	アニーローリー	ピンポン	ビビビ...	E	ENTERTAINER	AMAZING GRACE	ピンポン	ビビビ...
F	ロンドン橋	ホルディリディア	ピンポン	ビビビ...	F	亜麻色の髪の乙女	オー・シャンゼリゼ	ピンポン	ビビビ...
G	メリーさんの羊	草競馬	ピンポン	ビビビ...	G	カノン	ララサンシャイン	ピンポン	ビビビ...
H	かっこう	村のかじや	ピンポン	ビビビ...	H	宇宙戦艦ヤマト	おしえて	ピンポン	ビビビ...
I	アビニヨンの橋の上で	デイドリーム・ベリバー	ピンポン	ビビビ...	I	負けないで	ロッキーのテーマ	ピンポン	ビビビ...
J	アマリリス	モーツァルト40番	ピンポン	ビビビ...	J	ミス・ア・シング	夜空ノムコウ	ピンポン	ビビビ...
K	静かな湖畔	山の音楽家	ピンポン	ビビビ...	K	愛は勝つ	TRUTH	ピンポン	ビビビ...
L	禁じられた遊び	カチューシャ	ピンポン	ビビビ...	L	ガッツだぜ！！	おどるポンポコリン	ピンポン	ビビビ...
M	大きな古時計	アヴェ・マリア	ピンポン	ビビビ...	M	今すぐ kiss me	春よ、来い	ピンポン	ビビビ...
N	ホルディリディア	山の音楽家	ブルル+カンカン	列車通過音	N	オー・シャンゼリゼ	TRUTH	ブルル+カンカン	列車通過音
O	メリーさんの羊	禁じられた遊び	ブルル+カンカン	列車通過音	O	カノン	ガッツだぜ！！	ブルル+カンカン	列車通過音
P※2	草競馬	かっこう	カチューシャ	大きな古時計	P※2	ララサンシャイン	宇宙戦艦ヤマト	おどるポンポコリン	今すぐ kiss me
Dタイプ					Eタイプ				
グループ	CH1	CH2	CH3	CH4	グループ	CH1	CH2	CH3	CH4
A※1	ブーブー	ブルル	カンカン	パララ	A※1	ブーブー	ブルル	カンカン	パララ
B	ピーポピーポ	ピポパポピポパン	ピロロン	ピピピン	B	ピーポピーポ	ピポパポピポパン	ピロロン	ピピピン
C	Runner	守ってあげたい	ピンポン	ビビビ...	C	ブルル+カンカン	列車通過音	ピンポン	ビビビ...
D	オリビアをききながら	September	ピンポン	ビビビ...	D	ピ〜ロ〜ン	ピポピポ	ピンポン	ビビビ...
E	土曜日の恋人	秋の気配	ピンポン	ビビビ...	E	ビーム音	ハーブ音	ピンポン	ビビビ...
F	サーフ天国・スキー天国	色・ホワイトブレンド	ピンポン	ビビビ...	F	ピポピ×3	警告音	ピンポン	ビビビ...
G	HIHO	森のくまさん	ピンポン	ビビビ...	G	トゥルルル	ピロロロ	ピンポン	ビビビ...
H	こんなこいるかな	赤鼻のトナカイ	ピンポン	ビビビ...	H	ピリリ...	ポポピピ	ピンポン	ビビビ...
I	雪山賛歌	アルプス一万尺	ピンポン	ビビビ...	I	エリーゼのために	メヌエット	ピンポン	ビビビ...
J	Runner	守ってあげたい	オリビアをききながら	September	J	アニーローリー	ロンドン橋	ピンポン	ビビビ...
K	土曜日の恋人	秋の気配	サーフ天国・スキー天国	色・ホワイトブレンド	K	メリーさんの羊	草競馬	ピンポン	ビビビ...
L	HAPPY BIRTHDAY	HIHO	線路は続くよどこまでも	森のくまさん	L	アマリリス	モーツァルト40番	ピンポン	ビビビ...
M	おもちゃのチャチャチャ	こんなこいるかな	シューベルトの子守唄	赤鼻のトナカイ	M	アヴェ・マリア	大きな古時計	ピンポン	ビビビ...
N	黄色いリボン	雪山賛歌	テキサスの黄色いバラ	アルプス一万尺	N	エリーゼのために	ロンドン橋	ピンポン	ビビビ...
O	聖者が街にやってくる	ロンドンデリーの歌	Runner	守ってあげたい	O	アニーローリー	メヌエット	ピンポン	ビビビ...
P※2	HIHO	線路は続くよどこまでも	アルプス一万尺	聖者が街にやってくる	P※2	ピロロロ	ピリリ...	モーツァルト40番	アヴェ・マリア

※1 工場出荷時設定(グループA)

※2 SDカード(SDV-128P/オプション品・別売)を使用し、自由に組合せ可能



フロントカバー開口時



BD-24 配線図

**[記事]**  
1.10sec以内で音の再生・停止を繰り返す場合は  
信号入力のON-OFFにておこなってください。

\*取付穴寸法はIEC-61554(DIN-43700)に準拠しています。

製品取付図

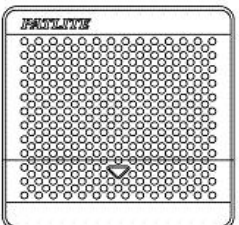
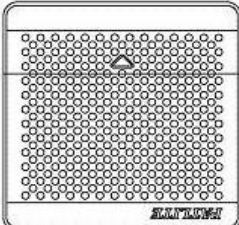
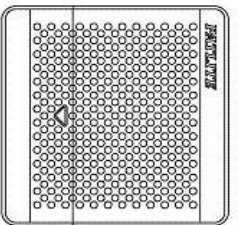
10	取付金具		2	付属品	
9	+なべ小ねじ M3X6		1	フロントカバー取付用	
8	スロット用防水ゴム		1	EPDM	
7	角座金付±ねじ		8	M3X6 配線用	
6	端子カバー		2	PC t=0.38	
5	リアカバー		1	ABS ダークグレー	
4	ケース		1	ABS ダークグレー	
3	防水パッキン		1	CR t=1.0	
2	フロントカバー		1	ABS ライトグレー/ダークグレー	
1	フロントパネル		1	ABS ライトグレー/ダークグレー	
番号 No.	部品名 Part Name	品目コード Part No.	数量 Qty.	材料 & 寸法 & 処理 Material & Size & Finish	記事 Remarks

BD-24型 外観寸法図

株式会社 **パトライト**  
PATLITE Corporation

BD-24.-PDF-3\_3

# 製品仕様書

機種名	BD-100□-□		
定格電圧	AC100V / AC220V (50/60Hz)		
電圧許容範囲	AC100V±10% / AC220V±10%		
定格消費電力	最大 5W / 待機 1.1W		
最大音圧レベル	90dB以上		
	測定条件：パネル取付け・中心より正面方向 1m・音色05(ピーポピーポ)再生 ※音色・使用環境・使用電圧により、音圧レベルは変化します		
音量調整	ボリューム調整：Min.～Max.		
信号入力方式	レベルホールド入力 (COM端子とCH端子を短絡させている間再生)		
CH入力	ビット入力		
再生可能音色数	4		
再生ラグ時間	170msec以下 (信号起動) / 1sec以下(電源起動)		
信号入力優先順	CH4 > CH3 > CH2 > CH1		
動作温度範囲	-20～55℃		
相対湿度	85%RH以下 (結露なきこと)		
製品取付け	屋内取付け：可 / 屋外取付け：可		
			
	正方向：可	逆方向：可	横方向：可
	IP54(正方向パネル取付け時、フロント部のみ)		
保護等級	DC500V 1MΩ以上 (充電金属部-非充電金属部間)		
絶縁抵抗	AC1500V 1分間 (充電金属部-非充電金属部間)		
耐電圧	19.6m/s <sup>2</sup> (JIS C0911-1984準拠)		
耐振動	325g±10%		
質量			
型式表示	<p style="text-align: center;">BD      -      100      A      -      J</p> <p style="text-align: center;"> <span style="display: inline-block; width: 100px; border-bottom: 1px solid black; margin-left: 100px;"></span> <span style="display: inline-block; width: 100px; border-bottom: 1px solid black; margin-left: 100px;"></span> <span style="display: inline-block; width: 100px; border-bottom: 1px solid black; margin-left: 100px;"></span> </p> <p> <span style="display: inline-block; width: 100px; border-bottom: 1px solid black; margin-left: 100px;"></span> <span style="display: inline-block; width: 100px; border-bottom: 1px solid black; margin-left: 100px;"></span> <span style="display: inline-block; width: 100px; border-bottom: 1px solid black; margin-left: 100px;"></span> </p> <p> <span style="display: inline-block; width: 100px; border-bottom: 1px solid black; margin-left: 100px;"></span> <span style="display: inline-block; width: 100px; border-bottom: 1px solid black; margin-left: 100px;"></span> <span style="display: inline-block; width: 100px; border-bottom: 1px solid black; margin-left: 100px;"></span> </p> <p> <span style="display: inline-block; width: 100px; border-bottom: 1px solid black; margin-left: 100px;"></span> <span style="display: inline-block; width: 100px; border-bottom: 1px solid black; margin-left: 100px;"></span> <span style="display: inline-block; width: 100px; border-bottom: 1px solid black; margin-left: 100px;"></span> </p> <p> <span style="display: inline-block; width: 100px; border-bottom: 1px solid black; margin-left: 100px;"></span> <span style="display: inline-block; width: 100px; border-bottom: 1px solid black; margin-left: 100px;"></span> <span style="display: inline-block; width: 100px; border-bottom: 1px solid black; margin-left: 100px;"></span> </p> <p> <span style="display: inline-block; width: 100px; border-bottom: 1px solid black; margin-left: 100px;"></span> <span style="display: inline-block; width: 100px; border-bottom: 1px solid black; margin-left: 100px;"></span> <span style="display: inline-block; width: 100px; border-bottom: 1px solid black; margin-left: 100px;"></span> </p> <p> <span style="display: inline-block; width: 100px; border-bottom: 1px solid black; margin-left: 100px;"></span> <span style="display: inline-block; width: 100px; border-bottom: 1px solid black; margin-left: 100px;"></span> <span style="display: inline-block; width: 100px; border-bottom: 1px solid black; margin-left: 100px;"></span> </p> <p> <span style="display: inline-block; width: 100px; border-bottom: 1px solid black; margin-left: 100px;"></span> <span style="display: inline-block; width: 100px; border-bottom: 1px solid black; margin-left: 100px;"></span> <span style="display: inline-block; width: 100px; border-bottom: 1px solid black; margin-left: 100px;"></span> </p> <p> <span style="display: inline-block; width: 100px; border-bottom: 1px solid black; margin-left: 100px;"></span> <span style="display: inline-block; width: 100px; border-bottom: 1px solid black; margin-left: 100px;"></span> <span style="display: inline-block; width: 100px; border-bottom: 1px solid black; margin-left: 100px;"></span> </p> <p> <span style="display: inline-block; width: 100px; border-bottom: 1px solid black; margin-left: 100px;"></span> <span style="display: inline-block; width: 100px; border-bottom: 1px solid black; margin-left: 100px;"></span> <span style="display: inline-block; width: 100px; border-bottom: 1px solid black; margin-left: 100px;"></span> </p> <p> <span style="display: inline-block; width: 100px; border-bottom: 1px solid black; margin-left: 100px;"></span> <span style="display: inline-block; width: 100px; border-bottom: 1px solid black; margin-left: 100px;"></span> <span style="display: inline-block; width: 100px; border-bottom: 1px solid black; margin-left: 100px;"></span> </p> <p> <span style="display: inline-block; width: 100px; border-bottom: 1px solid black; margin-left: 100px;"></span> <span style="display: inline-block; width: 100px; border-bottom: 1px solid black; margin-left: 100px;"></span> <span style="display: inline-block; width: 100px; border-bottom: 1px solid black; margin-left: 100px;"></span> </p> <p> <span style="display: inline-block; width: 100px; border-bottom: 1px solid black; margin-left: 100px;"></span> <span style="display: inline-block; width: 100px; border-bottom: 1px solid black; margin-left: 100px;"></span> <span style="display: inline-block; width: 100px; border-bottom: 1px solid black; margin-left: 100px;"></span> </p> <p> <span style="display: inline-block; width: 100px; border-bottom: 1px solid black; margin-left: 100px;"></span> <span style="display: inline-block; width: 100px; border-bottom: 1px solid black; margin-left: 100px;"></span> <span style="display: inline-block; width: 100px; border-bottom: 1px solid black; margin-left: 100px;"></span> </p> <p> <span style="display: inline-block; width: 100px; border-bottom: 1px solid black; margin-left: 100px;"></span> <span style="display: inline-block; width: 100px; border-bottom: 1px solid black; margin-left: 100px;"></span> <span style="display: inline-block; width: 100px; border-bottom: 1px solid black; margin-left: 100px;"></span> </p> <p> <span style="display: inline-block; width: 100px; border-bottom: 1px solid black; margin-left: 100px;"></span> <span style="display: inline-block; width: 100px; border-bottom: 1px solid black; margin-left: 100px;"></span> <span style="display: inline-block; width: 100px; border-bottom: 1px solid black; margin-left: 100px;"></span> </p> <p> <span style="display: inline-block; width: 100px; border-bottom: 1px solid black; margin-left: 100px;"></span> <span style="display: inline-block; width: 100px; border-bottom: 1px solid black; margin-left: 100px;"></span> <span style="display: inline-block; width: 100px; border-bottom: 1px solid black; margin-left: 100px;"></span> </p> <p> <span style="display: inline-block; width: 100px; border-bottom: 1px solid black; margin-left: 100px;"></span> <span style="display: inline-block; width: 100px; border-bottom: 1px solid black; margin-left: 100px;"></span> <span style="display: inline-block; width: 100px; border-bottom: 1px solid black; margin-left: 100px;"></span> </p> <p> <span style="display: inline-block; width: 100px; border-bottom: 1px solid black; margin-left: 100px;"></span> <span style="display: inline-block; width: 100px; border-bottom: 1px solid black; margin-left: 100px;"></span> <span style="display: inline-block; width: 100px; border-bottom: 1px solid black; margin-left: 100px;"></span> </p> <p> <span style="display: inline-block; width: 100px; border-bottom: 1px solid black; margin-left: 100px;"></span> <span style="display: inline-block; width: 100px; border-bottom: 1px solid black; margin-left: 100px;"></span> <span style="display: inline-block; width: 100px; border-bottom: 1px solid black; margin-left: 100px;"></span> </p> <p> <span style="display: inline-block; width: 100px; border-bottom: 1px solid black; margin-left: 100px;"></span> <span style="display: inline-block; width: 100px; border-bottom: 1px solid black; margin-left: 100px;"></span> <span style="display: inline-block; width: 100px; border-bottom: 1px solid black; margin-left: 100px;"></span> </p> <p> <span style="display: inline-block; width: 100px; border-bottom: 1px solid black; margin-left: 100px;"></span> <span style="display: inline-block; width: 100px; border-bottom: 1px solid black; margin-left: 100px;"></span> <span style="display: inline-block; width: 100px; border-bottom: 1px solid black; margin-left: 100px;"></span> </p> <p> <span style="display: inline-block; width: 100px; border-bottom: 1px solid black; margin-left: 100px;"></span> <span style="display: inline-block; width: 100px; border-bottom: 1px solid black; margin-left: 100px;"></span> <span style="display: inline-block; width: 100px; border-bottom: 1px solid black; margin-left: 100px;"></span> </p> <p> <span style="display: inline-block; width: 100px; border-bottom: 1px solid black; margin-left: 100px;"></span> <span style="display: inline-block; width: 100px; border-bottom: 1px solid black; margin-left: 100px;"></span> <span style="display: inline-block; width: 100px; border-bottom: 1px solid black; margin-left: 100px;"></span> </p> <p> <span style="display: inline-block; width: 100px; border-bottom: 1px solid black; margin-left: 100px;"></span> <span style="display: inline-block; width: 100px; border-bottom: 1px solid black; margin-left: 100px;"></span> <span style="display: inline-block; width: 100px; border-bottom: 1px solid black; margin-left: 100px;"></span> </p> <p> <span style="display: inline-block; width: 100px; border-bottom: 1px solid black; margin-left: 100px;"></span> <span style="display: inline-block; width: 100px; border-bottom: 1px solid black; margin-left: 100px;"></span> <span style="display: inline-block; width: 100px; border-bottom: 1px solid black; margin-left: 100px;"></span> </p> <p> <span style="display: inline-block; width: 100px; border-bottom: 1px solid black; margin-left: 100px;"></span> <span style="display: inline-block; width: 100px; border-bottom: 1px solid black; margin-left: 100px;"></span> <span style="display: inline-block; width: 100px; border-bottom: 1px solid black; margin-left: 100px;"></span> </p> <p> <span style="display: inline-block; width: 100px; border-bottom: 1px solid black; margin-left: 100px;"></span> <span style="display: inline-block; width: 100px; border-bottom: 1px solid black; margin-left: 100px;"></span> <span style="display: inline-block; width: 100px; border-bottom: 1px solid black; margin-left: 100px;"></span> </p> <p> <span style="display: inline-block; width: 100px; border-bottom: 1px solid black; margin-left: 100px;"></span> <span style="display: inline-block; width: 100px; border-bottom: 1px solid black; margin-left: 100px;"></span> <span style="display: inline-block; width: 100px; border-bottom: 1px solid black; margin-left: 100px;"></span> </p> <p> <span style="display: inline-block; width: 100px; border-bottom: 1px solid black; margin-left: 100px;"></span> <span style="display: inline-block; width: 100px; border-bottom: 1px solid black; margin-left: 100px;"></span> <span style="display: inline-block; width: 100px; border-bottom: 1px solid black; margin-left: 100px;"></span> </p> <p> <span style="display: inline-block; width: 100px; border-bottom: 1px solid black; margin-left: 100px;"></span> <span style="display: inline-block; width: 100px; border-bottom: 1px solid black; margin-left: 100px;"></span> <span style="display: inline-block; width: 100px; border-bottom: 1px solid black; margin-left: 100px;"></span> </p> <p> <span style="display: inline-block; width: 100px; border-bottom: 1px solid black; margin-left: 100px;"></span> <span style="display: inline-block; width: 100px; border-bottom: 1px solid black; margin-left: 100px;"></span> <span style="display: inline-block; width: 100px; border-bottom: 1px solid black; margin-left: 100px;"></span> </p> <p> <span style="display: inline-block; width: 100px; border-bottom: 1px solid black; margin-left: 100px;"></span> <span style="display: inline-block; width: 100px; border-bottom: 1px solid black; margin-left: 100px;"></span> <span style="display: inline-block; width: 100px; border-bottom: 1px solid black; margin-left: 100px;"></span> </p> <p> <span style="display: inline-block; width: 100px; border-bottom: 1px solid black; margin-left: 100px;"></span> <span style="display: inline-block; width: 100px; border-bottom: 1px solid black; margin-left: 100px;"></span> <span style="display: inline-block; width: 100px; border-bottom: 1px solid black; margin-left: 100px;"></span> </p> <p> <span style="display: inline-block; width: 100px; border-bottom: 1px solid black; margin-left: 100px;"></span> <span style="display: inline-block; width: 100px; border-bottom: 1px solid black; margin-left: 100px;"></span> <span style="display: inline-block; width: 100px; border-bottom: 1px solid black; margin-left: 100px;"></span> </p> <p> <span style="display: inline-block; width: 100px; border-bottom: 1px solid black; margin-left: 100px;"></span> <span style="display: inline-block; width: 100px; border-bottom: 1px solid black; margin-left: 100px;"></span> <span style="display: inline-block; width: 100px; border-bottom: 1px solid black; margin-left: 100px;"></span> </p> <p> <span style="display: inline-block; width: 100px; border-bottom: 1px solid black; margin-left: 100px;"></span> <span style="display: inline-block; width: 100px; border-bottom: 1px solid black; margin-left: 100px;"></span> <span style="display: inline-block; width: 100px; border-bottom: 1px solid black; margin-left: 100px;"></span> </p> <p> <span style="display: inline-block; width: 100px; border-bottom: 1px solid black; margin-left: 100px;"></span> <span style="display: inline-block; width: 100px; border-bottom: 1px solid black; margin-left: 100px;"></span> <span style="display: inline-block; width: 100px; border-bottom: 1px solid black; margin-left: 100px;"></span> </p> <p> <span style="display: inline-block; width: 100px; border-bottom: 1px solid black; margin-left: 100px;"></span> <span style="display: inline-block; width: 100px; border-bottom: 1px solid black; margin-left: 100px;"></span> <span style="display: inline-block; width: 100px; border-bottom: 1px solid black; margin-left: 100px;"></span> </p> <p> <span style="display: inline-block; width: 100px; border-bottom: 1px solid black; margin-left: 100px;"></span> <span style="display: inline-block; width: 100px; border-bottom: 1px solid black; margin-left: 100px;"></span> <span style="display: inline-block; width: 100px; border-bottom: 1px solid black; margin-left: 100px;"></span> </p> <p> <span style="display: inline-block; width: 100px; border-bottom: 1px solid black; margin-left: 100px;"></span> <span style="display: inline-block; width: 100px; border-bottom: 1px solid black; margin-left: 100px;"></span> <span style="display: inline-block; width: 100px; border-bottom: 1px solid black; margin-left: 100px;"></span> </p> <p> <span style="display: inline-block; width: 100px; border-bottom: 1px solid black; margin-left: 100px;"></span> <span style="display: inline-block; width: 100px; border-bottom: 1px solid black; margin-left: 100px;"></span> <span style="display: inline-block; width: 100px; border-bottom: 1px solid black; margin-left: 100px;"></span> </p> <p> <span style="display: inline-block; width: 100px; border-bottom: 1px solid black; margin-left: 100px;"></span> <span style="display: inline-block; width: 100px; border-bottom: 1px solid black; margin-left: 100px;"></span> <span style="display: inline-block; width: 100px; border-bottom: 1px solid black; margin-left: 100px;"></span> </p> <p> <span style="display: inline-block; width: 100px; border-bottom: 1px solid black; margin-left: 100px;"></span> <span style="display: inline-block; width: 100px; border-bottom: 1px solid black; margin-left: 100px;"></span> <span style="display: inline-block; width: 100px; border-bottom: 1px solid black; margin-left: 100px;"></span> </p> <p> <span style="display: inline-block; width: 100px; border-bottom: 1px solid black; margin-left: 100px;"></span> <span style="display: inline-block; width: 100px; border-bottom: 1px solid black; margin-left: 100px;"></span> <span style="display: inline-block; width: 100px; border-bottom: 1px solid black; margin-left: 100px;"></span> </p> <p> <span style="display: inline-block; width: 100px; border-bottom: 1px solid black; margin-left: 100px;"></span> <span style="display: inline-block; width: 100px; border-bottom: 1px solid black; margin-left: 100px;"></span> <span style="display: inline-block; width: 100px; border-bottom: 1px solid black; margin-left: 100px;"></span> </p> <p> <span style="display: inline-block; width: 100px; border-bottom: 1px solid black; margin-left: 100px;"></span> <span style="display: inline-block; width: 100px; border-bottom: 1px solid black; margin-left: 100px;"></span> <span style="display: inline-block; width: 100px; border-bottom: 1px solid black; margin-left: 100px;"></span> </p> <p> <span style="display: inline-block; width: 100px; border-bottom: 1px solid black; margin-left: 100px;"></span> <span style="display: inline-block; width: 100px; border-bottom: 1px solid black; margin-left: 100px;"></span> <span style="display: inline-block; width: 100px; border-bottom: 1px solid black; margin-left: 100px;"></span> </p> <p> <span style="display: inline-block; width: 100px; border-bottom: 1px solid black; margin-left: 100px;"></span> <span style="display: inline-block; width: 100px; border-bottom: 1px solid black; margin-left: 100px;"></span> <span style="display: inline-block; width: 100px; border-bottom: 1px solid black; margin-left: 100px;"></span> </p> <p> <span style="display: inline-block; width: 100px; border-bottom: 1px solid black; margin-left: 100px;"></span> <span style="display: inline-block; width: 100px; border-bottom: 1px solid black; margin-left: 100px;"></span> <span style="display: inline-block; width: 100px; border-bottom: 1px solid black; margin-left: 100px;"></span> </p> <p> <span style="display: inline-block; width: 100px; border-bottom: 1px solid black; margin-left: 100px;"></span> <span style="display: inline-block; width: 100px; border-bottom: 1px solid black; margin-left: 100px;"></span> <span style="display: inline-block; width: 100px; border-bottom: 1px solid black; margin-left: 100px;"></span> </p> <p> <span style="display: inline-block; width: 100px; border-bottom: 1px solid black; margin-left: 100px;"></span> <span style="display: inline-block; width: 100px; border-bottom: 1px solid black; margin-left: 100px;"></span> <span style="display: inline-block; width: 100px; border-bottom: 1px solid black; margin-left: 100px;"></span> </p> <p> <span style="display: inline-block; width: 100px; border-bottom: 1px solid black; margin-left: 100px;"></span> <span style="display: inline-block; width: 100px; border-bottom: 1px solid black; margin-left: 100px;"></span> <span style="display: inline-block; width: 100px; border-bottom: 1px solid black; margin-left: 100px;"></span> </p> <p> <span style="display: inline-block; width: 100px; border-bottom: 1px solid black; margin-left: 100px;"></span> <span style="display: inline-block; width: 100px; border-bottom: 1px solid black; margin-left: 100px;"></span> <span style="display: inline-block; width: 100px; border-bottom: 1px solid black; margin-left: 100px;"></span> </p> <p> <span style="display: inline-block; width: 100px; border-bottom: 1px solid black; margin-left: 100px;"></span> <span style="display: inline-block; width: 100px; border-bottom: 1px solid black; margin-left: 100px;"></span> <span style="display: inline-block; width: 100px; border-bottom: 1px solid black; margin-left: 100px;"></span> </p> <p> <span style="display: inline-block; width: 100px; border-bottom: 1px solid black; margin-left: 100px;"></span> <span style="display: inline-block; width: 100px; border-bottom: 1px solid black; margin-left: 100px;"></span> <span style="display: inline-block; width: 100px; border-bottom: 1px solid black; margin-left: 100px;"></span> </p> <p> <span style="display: inline-block; width: 100px; border-bottom: 1px solid black; margin-left: 100px;"></span> <span style="display: inline-block; width: 100px; border-bottom: 1px solid black; margin-left: 100px;"></span> <span style="display: inline-block; width: 100px; border-bottom: 1px solid black; margin-left: 100px;"></span> </p> <p> <span style="display: inline-block; width: 100px; border-bottom: 1px solid black; margin-left: 100px;"></span> <span style="display: inline-block; width: 100px; border-bottom: 1px solid black; margin-left: 100px;"></span> <span style="display: inline-block; width: 100px; border-bottom: 1px solid black; margin-left: 100px;"></span> </p> <p> <span style="display: inline-block; width: 100px; border-bottom: 1px solid black; margin-left: 100px;"></span> <span style="display: inline-block; width: 100px; border-bottom: 1px solid black; margin-left: 100px;"></span> <span style="display: inline-block; width: 100px; border-bottom: 1px solid black; margin-left: 100px;"></span> </p> <p> <span style="display: inline-block; width: 100px; border-bottom: 1px solid black; margin-left: 100px;"></span> <span style="display: inline-block; width: 100px; border-bottom: 1px solid black; margin-left: 100px;"></span> <span style="display: inline-block; width: 100px; border-bottom: 1px solid black; margin-left: 100px;"></span> </p> <p> <span style="display: inline-block; width: 100px; border-bottom: 1px solid black; margin-left: 100px;"></span> <span style="display: inline-block; width: 100px; border-bottom: 1px solid black; margin-left: 100px;"></span> <span style="display: inline-block; width: 100px; border-bottom: 1px solid black; margin-left: 100px;"></span> </p> <p> <span style="display: inline-block; width: 100px; border-bottom: 1px solid black; margin-left: 100px;"></span> <span style="display: inline-block; width: 100px; border-bottom: 1px solid black; margin-left: 100px;"></span> <span style="display: inline-block; width: 100px; border-bottom: 1px solid black; margin-left: 100px;"></span> </p> <p> <span style="display: inline-block; width: 100px; border-bottom: 1px solid black; margin-left: 100px;"></span> <span style="display: inline-block; width: 100px; border-bottom: 1px solid black; margin-left: 100px;"></span> <span style="display: inline-block; width: 100px; border-bottom: 1px solid black; margin-left: 100px;"></span> </p> <p> <span style="display: inline-block; width: 100px; border-bottom: 1px solid black; margin-left: 100px;"></span> <span style="display: inline-block; width: 100px; border-bottom: 1px solid black; margin-left: 100px;"></span> <span style="display: inline-block; width: 100px; border-bottom: 1px solid black; margin-left: 100px;"></span> </p> <p> <span style="display: inline-block; width: 100px; border-bottom: 1px solid black; margin-left: 100px;"></span> <span style="display: inline-block; width: 100px; border-bottom: 1px solid black; margin-left: 100px;"></span> <span style="display: inline-block; width: 100px; border-bottom: 1px solid black; margin-left: 100px;"></span> </p> <p> <span style="display: inline-block; width: 100px; border-bottom: 1px solid black; margin-left: 100px;"></span> <span style="display: inline-block; width: 100px; border-bottom: 1px solid black; margin-left: 100px;"></span> <span style="display: inline-block; width: 100px; border-bottom: 1px solid black; margin-left: 100px;"></span> </p> <p> <span style="display: inline-block; width: 100px; border-bottom: 1px solid black; margin-left: 100px;"></span> <span style="display: inline-block; width: 100px; border-bottom: 1px solid black; margin-left: 100px;"></span> <span style="display: inline-block; width: 100px; border-bottom: 1px solid black; margin-left: 100px;"></span> </p> <p> <span style="display: inline-block; width: 100px; border-bottom: 1px solid black; margin-left: 100px;"></span> <span style="display: inline-block; width: 100px; border-bottom: 1px solid black; margin-left: 100px;"></span> <span style="display: inline-block; width: 100px; border-bottom: 1px solid black; margin-left: 100px;"></span> </p> <p> <span style="display: inline-block; width: 100px; border-bottom: 1px solid black; margin-left: 100px;"></span> <span style="display: inline-block; width: 100px; border-bottom: 1px solid black; margin-left: 100px;"></span> <span style="display: inline-block; width: 100px; border-bottom: 1px solid black; margin-left: 100px;"></span> </p> <p> <span style="display: inline-block; width: 100px; border-bottom: 1px solid black; margin-left: 100px;"></span> <span style="display: inline-block; width: 100px; border-bottom: 1px solid black; margin-left: 100px;"></span> <span style="display: inline-block; width: 100px; border-bottom: 1px solid black; margin-left: 100px;"></span> </p> <p> <span style="display: inline-block; width: 100px; border-bottom: 1px solid black; margin-left: 100px;"></span> <span style="display: inline-block; width: 100px; border-bottom: 1px solid black; margin-left: 100px;"></span> <span style="display: inline-block; width: 100px; border-bottom: 1px solid black; margin-left: 100px;"></span> </p> <p> <span style="display: inline-block; width: 100px; border-bottom: 1px solid black; margin-left: 100px;"></span> <span style="display: inline-block; width: 100px; border-bottom: 1px solid black; margin-left: 100px;"></span> <span style="display: inline-block; width: 100px; border-bottom: 1px solid black; margin-left: 100px;"></span> </p> <p> <span style="display: inline-block; width: 100px; border-bottom: 1px solid black; margin-left: 100px;"></span> <span style="display: inline-block; width: 100px; border-bottom: 1px solid black; margin-left: 100px;"></span> <span style="display: inline-block; width: 100px; border-bottom: 1px solid black; margin-left: 100px;"></span> </p> <p> <span style="display: inline-block; width: 100px; border-bottom: 1px solid black; margin-left: 100px;"></span> <span style="display: inline-block; width: 100px; border-bottom: 1px solid black; margin-left: 100px;"></span> <span style="display: inline-block; width: 100px; border-bottom: 1px solid black; margin-left: 100px;"></span> </p> <p> <span style="display: inline-block; width: 100px; border-bottom: 1px solid black; margin-left: 100px;"></span> <span style="display: inline-block; width: 100px; border-bottom: 1px solid black; margin-left: 100px;"></span> <span style="display: inline-block; width: 100px; border-bottom: 1px solid black; margin-left: 100px;"></span> </p> <p> <span style="display: inline-block; width: 100px; border-bottom: 1px solid black; margin-left: 100px;"></span> <span style="display: inline-block; width: 100px; border-bottom: 1px solid black; margin-left: 100px;"></span> <span style="display: inline-block; width: 100px; border-bottom: 1px solid black; margin-left: 100px;"></span> </p> <p> <span style="display: inline-block; width: 100px; border-bottom: 1px solid black; margin-left: 100px;"></span> <span style="display: inline-block; width: 100px; border-bottom: 1px solid black; margin-left: 100px;"></span> <span style="display: inline-block; width: 100px; border-bottom: 1px solid black; margin-left: 100px;"></span> </p> <p> <span style="display: inline-block; width: 100px; border-bottom: 1px solid black; margin-left: 100px;"></span> <span style="display: inline-block; width: 100px; border-bottom: 1px solid black; margin-left: 100px;"></span> <span style="display: inline-block; width: 100px; border-bottom: 1px solid black; margin-left: 100px;"></span> </p> <p> <span style="display: inline-block; width: 100px; border-bottom: 1px solid black; margin-left: 100px;"></span> <span style="display: inline-block; width: 100px; border-bottom: 1px solid black; margin-left: 100px;"></span> <span style="display: inline-block; width: 100px; border-bottom: 1px solid black; margin-left: 100px;"></span> </p> <p> <span style="display: inline-block; width: 100px; border-bottom: 1px solid black; margin-left: 100px;"></span> <span style="display: inline-block; width: 100px; border-bottom: 1px solid black; margin-left: 100px;"></span> <span style="display: inline-block; width: 100px; border-bottom: 1px solid black; margin-left: 100px;"></span> </p> <p> <span style="display: inline-block; width: 100px; border-bottom: 1px solid black; margin-left: 100px;"></span> <span style="display: inline-block; width: 100px; border-bottom: 1px solid black; margin-left: 100px;"></span> <span style="display: inline-block; width: 100px; border-bottom: 1px solid black; margin-left: 100px;"></span> </p> <p> <span style="display: inline-block; width: 100px; border-bottom: 1px solid black; margin-left: 100px;"></span> <span style="display: inline-block; width: 100px; border-bottom: 1px solid black; margin-left: 100px;"></span> <span style="display: inline-block; width: 100px; border-bottom: 1px solid black; margin-left: 100px;"></span> </p> <p> <span style="display: inline-block; width: 100px; border-bottom: 1px solid black; margin-left: 100px;"></span> <span style="display: inline-block; width: 100px; border-bottom: 1px solid black; margin-left: 100px;"></span> <span style="display: inline-block; width: 100px; border-bottom: 1px solid black; margin-left: 100px;"></span> </p> <p> <span style="display: inline-block; width: 100px; border-bottom: 1px solid black; margin-left: 100px;"></span> <span style="display: inline-block; width: 100px; border-bottom: 1px solid black; margin-left: 100px;"></span> <span style="display: inline-block; width: 100px; border-bottom: 1px solid black; margin-left: 100px;"></span> </p> <p> <span style="display: inline-block; width: 100px; border-bottom: 1px solid black; margin-left: 100px;"></span> <span style="display: inline-block; width: 100px; border-bottom: 1px solid black; margin-left: 100px;"></span> <span style="display: inline-block; width: 100px; border-bottom: 1px solid black; margin-left: 100px;"></span> </p> <p> <span style="display: inline-block; width: 100px; border-bottom: 1px solid black; margin-left: 100px;"></span> <span style="display: inline-block; width: 100px; border-bottom: 1px solid black; margin-left: 100px;"></span> <span style="display: inline-block; width: 100px; border-bottom: 1px solid black; margin-left: 100px;"></span> </p> <p> <span style="display: inline-block; width: 100px; border-bottom: 1px solid black; margin-left: 100px;"></span> <span style="display: inline-block; width: 100px; border-bottom: 1px solid black; margin-left: 100px;"></span> <span style="display: inline-block; width: 100px; border-bottom: 1px solid black; margin-left: 100px;"></span> </p> <p> <span style="display: inline-block; width: 100px; border-bottom: 1px solid black; margin-left: 100px;"></span> <span style="display: inline-block; width: 100px; border-bottom: 1px solid black; margin-left: 100px;"></span> <span style="display: inline-block; width: 100px; border-bottom: 1px solid black; margin-left: 100px;"></span> </p> <p> <span style="display: inline-block; width: 100px; border-bottom: 1px solid black; margin-left: 100px;"></span> <span style="display: inline-block; width: 100px; border-bottom: 1px solid black; margin-left: 100px;"></span> <span style="display: inline-block; width: 100px; border-bottom: 1px solid black; margin-left: 100px;"></span> </p> <p> <span style="display: inline-block; width: 100px; border-bottom: 1px solid black; margin-left: 100px;"></span> <span style="display: inline-block; width: 100px; border-bottom: 1px solid black; margin-left: 100px;"></span> <span style="display: inline-block; width: 100px; border-bottom: 1px solid black; margin-left: 100px;"></span> </p> <p> <span style="display: inline-block; width: 100px; border-bottom: 1px solid black; margin-left: 100px;"></span> <span style="display: inline-block; width: 100px; border-bottom: 1px solid black; margin-left: 100px;"></span> <span style="display: inline-block; width: 100px; border-bottom: 1px solid black; margin-left: 100px;"></span> </p> <p> <span style="display: inline-block; width: 100px; border-bottom: 1px solid black; margin-left: 100px;"></span> <span style="display: inline-block; width: 100px; border-bottom: 1px solid black; margin-left: 100px;"></span> <span style="display: inline-block; width: 100px; border-bottom: 1px solid black; margin-left: 100px;"></span> </p> <p> <span style="display: inline-block; width: 100px; border-bottom: 1px solid black; margin-left: 100px;"></span> <span style="display: inline-block; width: 100px; border-bottom: 1px solid black; margin-left: 100px;"></span> <span style="display: inline-block; width: 100px; border-bottom: 1px solid black; margin-left: 100px;"></span> </p> <p> <span style="display: inline-block; width: 100px; border-bottom: 1px solid black; margin-left: 100px;"></span> <span style="display: inline-block; width: 100px; border-bottom: 1px solid black; margin-left: 100px;"></span> <span style="display: inline-block; width: 100px; border-bottom: 1px solid black; margin-left: 100px;"></span> </p> <p> <span style="display: inline-block; width: 100px; border-bottom: 1px solid black; margin-left: 100px;"></span> <span style="display: inline-block; width: 100px; border-bottom: 1px solid black; margin-left: 100px;"></span> <span style="display: inline-block; width: 100px; border-bottom: 1px solid black; margin-left: 100px;"></span> </p> <p> <span style="display: inline-block; width: 100px; border-bottom: 1px solid black; margin-left: 100px;"></span> </p>		

# 製品仕様書

## 音色一覧

Aタイプ	01	ブーブー	07	ピロロン	13	エリーゼのために	19	メリーさんの羊	25	アマリリス	31	大きな古時計
	02	ブルル	08	ピピピン	14	乙女の祈り	20	草競馬	26	モーツァルト40番	32	アヴェ・マリア
	03	カンカン	09	ブルル+カンカン	15	メヌエット	21	かっこう	27	静かな湖畔		
	04	パララ	10	列車通過音	16	アニーローリー	22	村のかじや	28	山の音楽家		
	05	ピーポピーポ	11	ピンポン	17	ロンドン橋	23	アビニヨンの橋の上で	29	禁じられた遊び		
	06	ピポパポピポパン	12	ビビビ...	18	ホルディリディア	24	デイドリーム・ベリーバー	30	カチューシャ		
Cタイプ	01	ブーブー	07	ピロロン	13	君の瞳に恋してる	19	カノン	25	ミス・ア・シング	31	今すぐ kiss me
	02	ブルル	08	ピピピン	14	TOP OF THE WORLD	20	ララサンシャイン	26	夜空ノムコウ	32	春よ、来い
	03	カンカン	09	ブルル+カンカン	15	ENTERTAINER	21	宇宙戦艦ヤマト	27	愛は勝つ		
	04	パララ	10	列車通過音	16	AMAZING GRACE	22	おしえて	28	TRUTH		
	05	ピーポピーポ	11	ピンポン	17	亜麻色の髪の乙女	23	負けないで	29	ガッツだぜ！！		
	06	ピポパポピポパン	12	ビビビ...	18	オー・シャンゼリゼ	24	ロッキーのテーマ	30	おどるポンポコリン		
Dタイプ	01	ブーブー	07	ピロロン	13	オリビアをききながら	19	HAPPY BIRTHDAY	25	シューベルトの子守唄	31	聖者が街にやってくる
	02	ブルル	08	ピピピン	14	September	20	HIHO	26	赤鼻のトナカイ	32	ロンドンデリーの歌
	03	カンカン	09	ピンポン	15	土曜日の恋人	21	線路は続くよどこまでも	27	黄色いリボン		
	04	パララ	10	ビビビ...	16	秋の気配	22	森のくまさん	28	雪山賛歌		
	05	ピーポピーポ	11	Runner	17	サーフ天国・スキー天国	23	おもちゃのチャチャチャ	29	テキサスの黄色いバラ		
	06	ピポパポピポパン	12	守ってあげたい	18	色・ホワイトブレンド	24	こんなこいるかな	30	アルプス一万尺		
Eタイプ	01	ブーブー	07	ピロロン	13	ピ〜ロ〜ン	19	トゥルルル	25	アニーローリー	31	アヴェ・マリア
	02	ブルル	08	ピピピン	14	ピピポポ	20	ピロロロ	26	ロンドン橋	32	大きな古時計
	03	カンカン	09	ブルル+カンカン	15	ビーム音	21	ピリリ...	27	メリーさんの羊		
	04	パララ	10	列車通過音	16	ハーブ音	22	ポポピピ	28	草競馬		
	05	ピーポピーポ	11	ピンポン	17	ピポピ×3	23	エリーゼのために	29	アマリリス		
	06	ピポパポピポパン	12	ビビビ...	18	警告音	24	メヌエット	30	モーツァルト40番		

## 音色グループ

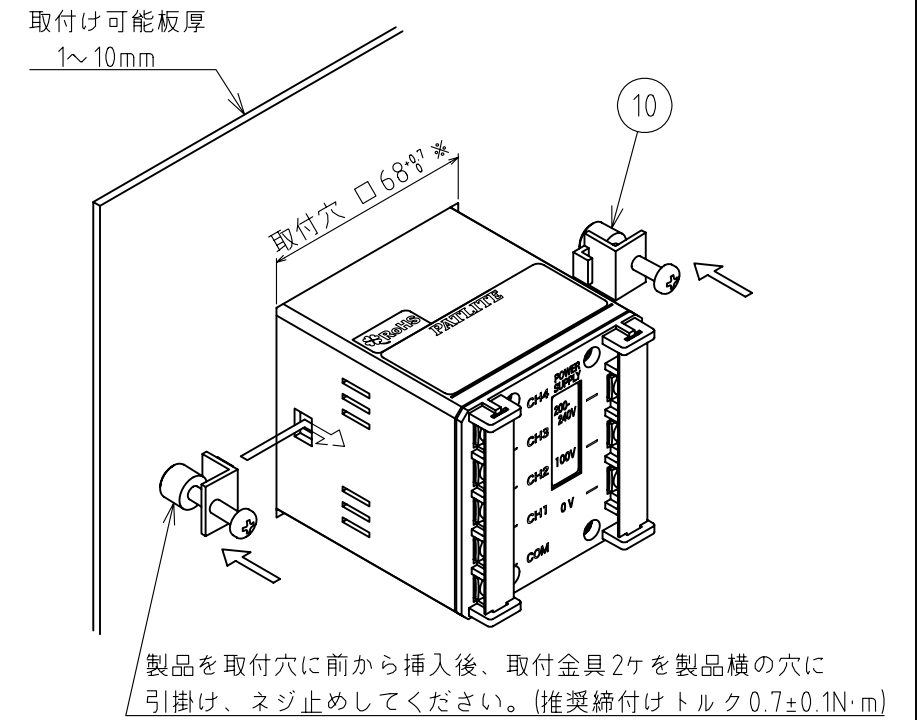
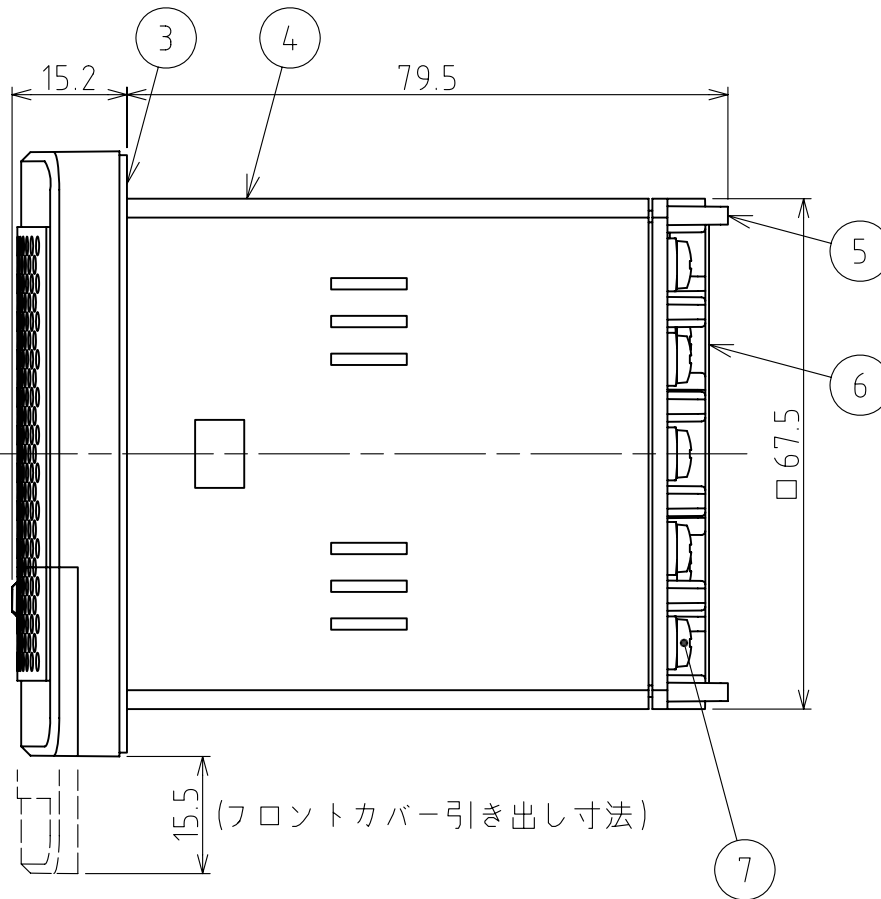
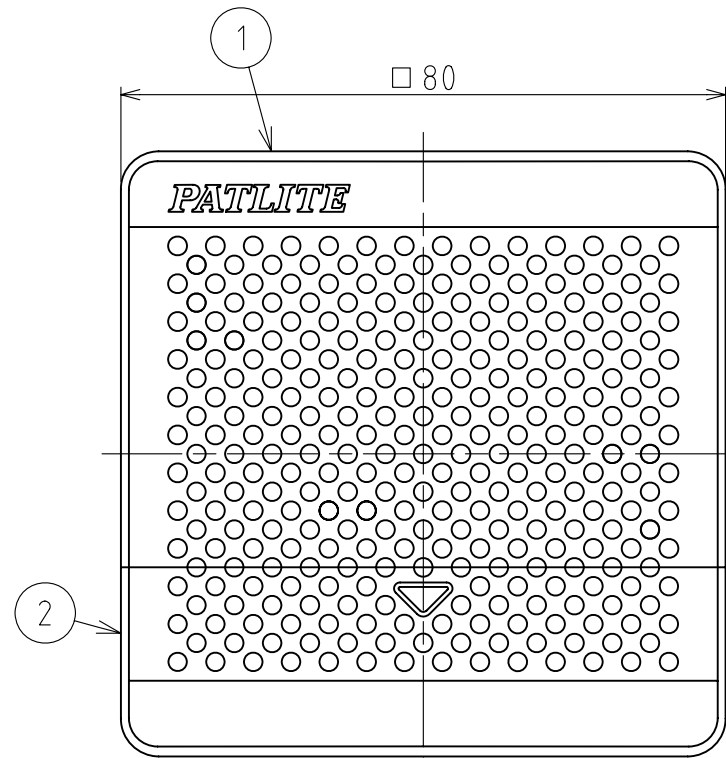
Aタイプ					Cタイプ				
グループ	CH1	CH2	CH3	CH4	グループ	CH1	CH2	CH3	CH4
A※1	ブーブー	ブルル	カンカン	パララ	A※1	ブーブー	ブルル	カンカン	パララ
B	ピーポピーポ	ピポパポピポパン	ピロロン	ピピピン	B	ピーポピーポ	ピポパポピポパン	ピロロン	ピピピン
C	ブルル+カンカン	列車通過音	ピンポン	ビビビ...	C	ブルル+カンカン	列車通過音	ピンポン	ビビビ...
D	エリーゼの為に	乙女の祈り	ピンポン	ビビビ...	D	君の瞳に恋してる	TOP OF THE WORLD	ピンポン	ビビビ...
E	メヌエット	アニーローリー	ピンポン	ビビビ...	E	ENTERTAINER	AMAZING GRACE	ピンポン	ビビビ...
F	ロンドン橋	ホルディリディア	ピンポン	ビビビ...	F	亜麻色の髪の乙女	オー・シャンゼリゼ	ピンポン	ビビビ...
G	メリーさんの羊	草競馬	ピンポン	ピピピ...	G	カノン	ララサンシャイン	ピンポン	ピピピ...
H	かっこう	村のかじや	ピンポン	ピピピ...	H	宇宙戦艦ヤマト	おしえて	ピンポン	ピピピ...
I	アビニヨンの橋の上で	デイドリーム・ベリーバー	ピンポン	ビビビ...	I	負けないで	ロッキーのテーマ	ピンポン	ビビビ...
J	アマリリス	モーツァルト40番	ピンポン	ビビビ...	J	ミス・ア・シング	夜空ノムコウ	ピンポン	ビビビ...
K	静かな湖畔	山の音楽家	ピンポン	ピピピ...	K	愛は勝つ	TRUTH	ピンポン	ピピピ...
L	禁じられた遊び	カチューシャ	ピンポン	ピピピ...	L	ガッツだぜ！！	おどるポンポコリン	ピンポン	ピピピ...
M	大きな古時計	アヴェ・マリア	ピンポン	ビビビ...	M	今すぐ kiss me	春よ、来い	ピンポン	ビビビ...
N	ホルディリディア	山の音楽家	ブルル+カンカン	列車通過音	N	オー・シャンゼリゼ	TRUTH	ブルル+カンカン	列車通過音
O	メリーさんの羊	禁じられた遊び	ブルル+カンカン	列車通過音	O	カノン	ガッツだぜ！！	ブルル+カンカン	列車通過音
P※2	草競馬	かっこう	カチューシャ	大きな古時計	P※2	ララサンシャイン	宇宙戦艦ヤマト	おどるポンポコリン	今すぐ kiss me

Dタイプ					Eタイプ				
グループ	CH1	CH2	CH3	CH4	グループ	CH1	CH2	CH3	CH4
A※1	ブーブー	ブルル	カンカン	パララ	A※1	ブーブー	ブルル	カンカン	パララ
B	ピーポピーポ	ピポパポピポパン	ピロロン	ピピピン	B	ピーポピーポ	ピポパポピポパン	ピロロン	ピピピン
C	Runner	守ってあげたい	ピンポン	ビビビ...	C	ブルル+カンカン	列車通過音	ピンポン	ピピピ...
D	オリビアをききながら	September	ピンポン	ピピピ...	D	ピ〜ロ〜ン	ピピポポ	ピンポン	ピピピ...
E	土曜日の恋人	秋の気配	ピンポン	ピピピ...	E	ビーム音	ハーブ音	ピンポン	ピピピ...
F	サーフ天国・スキー天国	色・ホワイトブレンド	ピンポン	ビビビ...	F	ピポピ×3	警告音	ピンポン	ビビビ...
G	HIHO	森のくまさん	ピンポン	ピピピ...	G	トゥルルル	ピロロロ	ピンポン	ピピピ...
H	こんなこいるかな	赤鼻のトナカイ	ピンポン	ピピピ...	H	ピリリ...	ポポピピ	ピンポン	ピピピ...
I	雪山賛歌	アルプス一万尺	ピンポン	ピピピ...	I	エリーゼのために	メヌエット	ピンポン	ピピピ...
J	Runner	守ってあげたい	オリビアをききながら	September	J	アニーローリー	ロンドン橋	ピンポン	ピピピ...
K	土曜日の恋人	秋の気配	サーフ天国・スキー天国	色・ホワイトブレンド	K	メリーさんの羊	草競馬	ピンポン	ピピピ...
L	HAPPY BIRTHDAY	HIHO	線路は続くよどこまでも	森のくまさん	L	アマリリス	モーツァルト40番	ピンポン	ピピピ...
M	おもちゃのチャチャチャ	こんなこいるかな	シューベルトの子守唄	赤鼻のトナカイ	M	アヴェ・マリア	大きな古時計	ピンポン	ピピピ...
N	黄色いリボン	雪山賛歌	テキサスの黄色いバラ	アルプス1万尺	N	エリーゼのために	ロンドン橋	ピンポン	ピピピ...
O	聖者が街にやってくる	ロンドンデリーの歌	Runner	守ってあげたい	O	アニーローリー	メヌエット	ピンポン	ピピピ...
P※2	HIHO	線路は続くよどこまでも	アルプス一万尺	聖者が街にやってくる	P※2	ピロロロ	ピリリ...	モーツァルト40番	アヴェ・マリア

※1 工場出荷時設定(グループA)

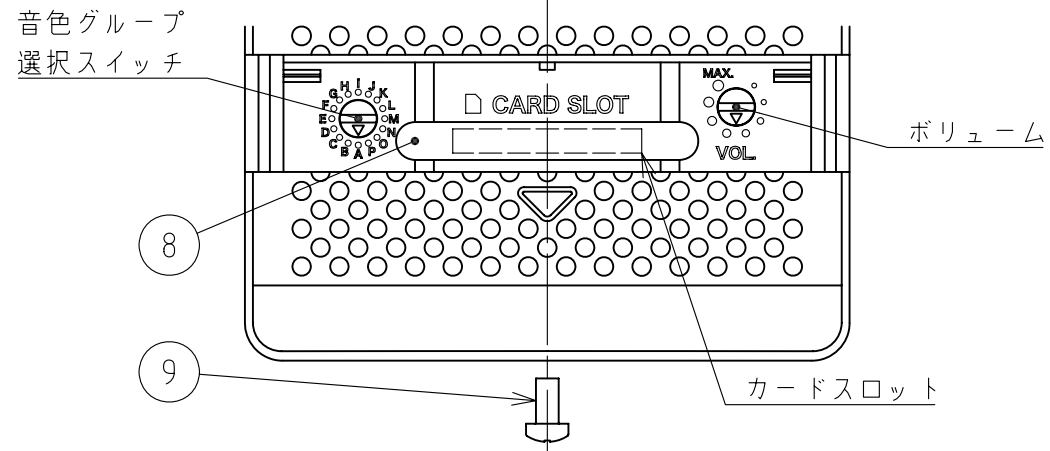
※2 SDカード(SDV-128P/オプション品・別売)を使用し、自由に組合せ可能



製品を取付穴に前から挿入後、取付金具2ヶを製品横の穴に引掛け、ネジ止めしてください。(推奨締付けトルク0.7±0.1N・m)

※取付穴寸法はIEC-61554(DIN-43700)に準拠しています。

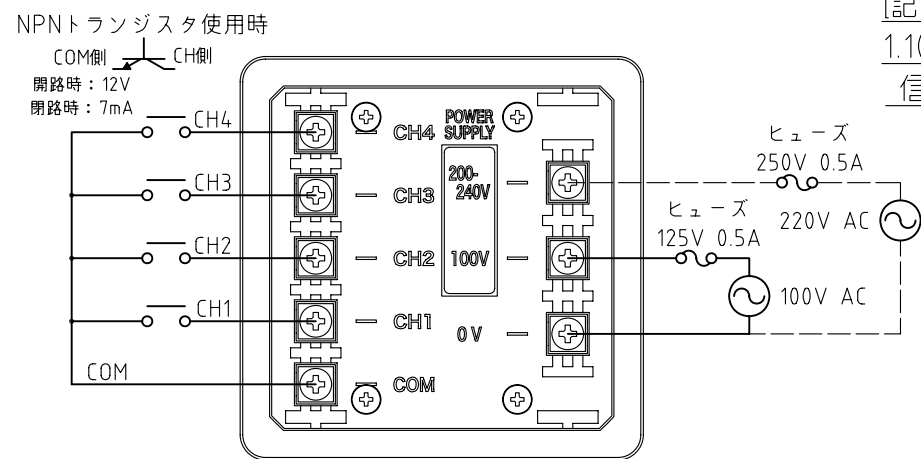
製品取付図



フロントカバー開口時

**[記事]**  
1.10sec以内で音の再生・停止を繰り返す場合は信号入力のON-OFFにておこなってください。

10	取付金具		2	付属品	
9	+なべ小ねじ M3X6		1	フロントカバー取付用	
8	スロット用防水ゴム		1	EPDM	
7	角座金付±ねじ		8	M3X6 配線用	
6	端子カバー		2	PC t=0.38	
5	リアカバー		1	ABS ダークグレー	
4	ケース		1	ABS ダークグレー	
3	防水パッキン		1	CR t=1.0	
2	フロントカバー		1	ABS ライトグレー/ダークグレー	
1	フロントパネル		1	ABS ライトグレー/ダークグレー	
番号 No.	部品名 Part Name	品目コード Part No.	数量 Qty.	材料 & 寸法 & 処理 Material & Size & Finish	記事 Remarks



BD-100 配線図

BD-100型 外観寸法図

株式会社 **パトライト**  
PATLITE Corporation

BD-100.-PDFF-3\_3